

# Side Wall Track System:

## Saves Valuable Space

PEMKO's Side Wall Track System allows sliding doors to be used on the face of the wall, converting swing door clearance into usable space. The Side Wall Track System is precision made to mount quickly and provide years of trouble-free operation.

The PEMKO Side Wall Track System has a unique mounting bracket that is extruded with the track and is provided with an innovative wall-mounted bottom guide assembly allowing carpet to be replaced without removing the door.

The Side Wall Track can be used in new construction or in retrofit openings. Existing doors can be retrofit into sliding doors.

Features	Benefits
Quick, easy attachment; no additional brackets or shims needed	Lower installation cost
Continuous bracket and matching end plates	Track is hidden from view for a professional, finished appearance
"Sealed for life" needle bearing assembly	Requires no maintenance
Needle bearing nylon wheels	Door rolls smoothly and quietly
Can be trimmed to fit	Solution for odd size openings

## Applications:

- Offices
- Conference Rooms
- Hospitality
- Healthcare Facilities



## Technical Specifications:

- Supports up to 200 lb. wood or metal doors
- Quick easy attachment, no additional brackets or shims needed
- Continuous bracket is integral with track
- Adjustable wall mounted bottom guide included

### Materials Included:

- Mill finish extruded aluminum track (dark anodized available)
- Clear or Dark Anodized extruded aluminum fascia
- Acetal nylon hangers, stops, and guide
- Zinc coated steel side wall mount bottom guide - 102WA

### Options:

Steel Bracket with nylon bottom guide - 102WN

Aluminum Bottom Channel - 94A

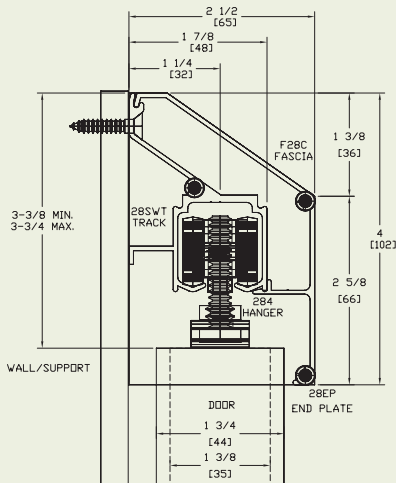
Roller Guide - 106R/94

### Finishes:

Clear Anodized Aluminum

Dark Bronze Anodized

NOTE: PEMKO Sliding and Folding products are under warranty for five years against defects in material workmanship. See catalog for complete details.



## Sliding Door Solutions

Sliding doors convert swing clearance into usable space. The PEMKO Side Wall Track System is easy to install and has a "sealed for life" needle bearing assembly which requires no maintenance. The set includes matching end plates to conceal the entire track assembly for a professional, finished appearance.

### Available Kits:

#### Clear Anodized Aluminum

- 280C-SWTKIT/5 (5 ft. track and fascia)
- 280C-SWTKIT/6 (6 ft. track and fascia)
- 280C-SWTKIT/8 (8 ft. track and fascia)
- 280C-SWTKIT/12 (12 ft. track and fascia)\*

#### Dark Bronze Anodized Aluminum

- 280D-SWTKIT/5 (5 ft. track and fascia)
- 280D-SWTKIT/6 (6 ft. track and fascia)
- 280D-SWTKIT/8 (8 ft. track and fascia)
- 280D-SWTKIT/12 (12 ft. track and fascia)\*

\*280\_-SWTKIT/12 includes enough hardware for two doors.

### 280C-SWF

Side Wall  
Fascia

### 280A-SWT

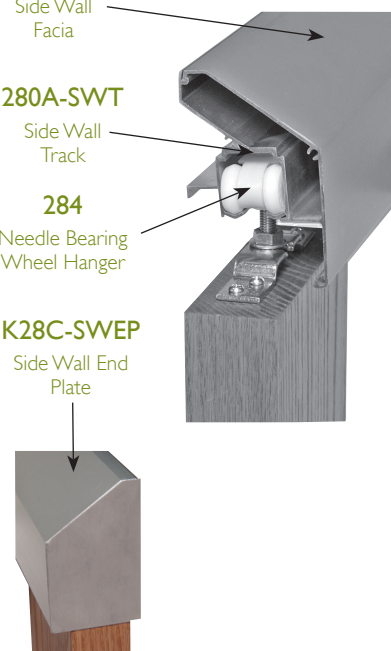
Side Wall  
Track

### 284

Needle Bearing  
Wheel Hanger

### K28C-SWEP

Side Wall End  
Plate



[www.pemko.com](http://www.pemko.com)

Ventura, CA USA  
P: 800.283.9988  
F: 800.283.4050

Memphis, TN USA  
P: 800.824.3018  
F: 800.243.3656

Vancouver, BC CA  
P: 877.535.7888  
F: 877.535.7444

Toronto, ON CA  
P: 877.535.7888  
F: 877.535.7444

ASSA ABLOY, the global leader  
in door opening solutions

Copyright © 2011-2012 Pemko Manufacturing Company, an ASSA ABLOY Group company. All rights reserved.  
Reproduction in whole or in part without the express written permission of Pemko Manufacturing Company is prohibited.  
80022-8/2012