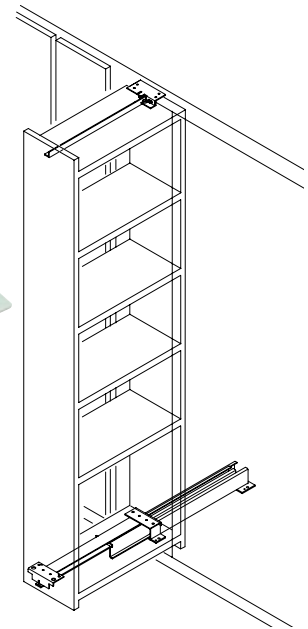
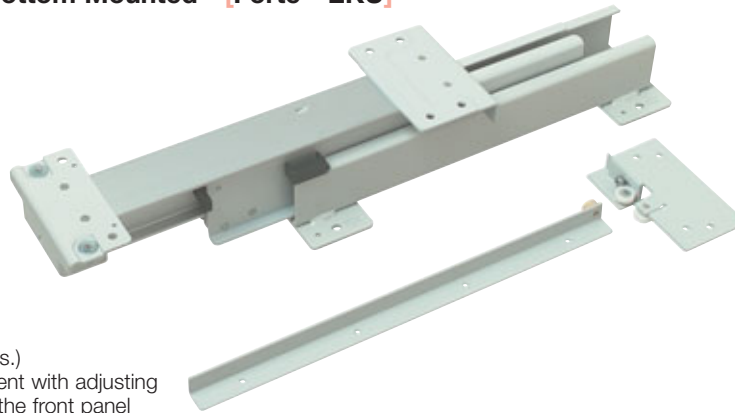


Pull-out Cabinet Slides

Text Change

Partial Extension, Top/Bottom Mounted - [Forte - EKU]



Text Change

- Load capacity: **170 kg.** (374 lbs.)
- [3 mm (+2/-1)] height adjustment with adjusting screw, permitting alignment of the front panel
- 8 ball-bearing mounted steel rollers
- 2 friction bearing mounted steel rollers
- 1 friction bearing mounted cylinder steel roller
- Rubber buffers on the rails and runner ensure silent action
- Return guide and retainer provide for the accurate closure of the cabinet pull-out safety stop

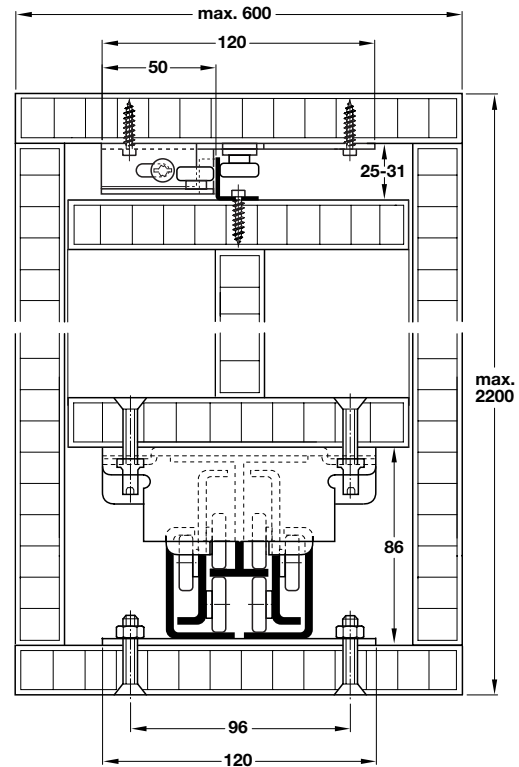
Material: steel

New Item

Installation length	Extension length	gray RAL 7035
(1' 2 5/16") 380 mm	(1' 1 3/8") 339 mm	[421.48.380]
(1' 4 15/16") 430 mm	(1' 3 5/16") 389 mm	[421.48.430]
(1' 6 7/8") 480 mm	(1' 5 5/16") 439 mm	421.48.480
(1' 8 7/8") 530 mm	(1' 7 1/4") 489 mm	421.48.530
(1' 10 13/16") 580 mm	(1' 9 1/4") 539 mm	421.48.580
(2' 13/16") 630 mm	(1' 11 3/16") 589 mm	[421.48.630]
(2' 2 3/4") 680 mm	(2' 1 3/16") 639 mm	421.48.680
(2' 6 11/16") 780 mm	(2' 5 1/8") 739 mm	[421.48.780]
(2' 10 5/8") 880 mm	(2' 9 1/16") 839 mm	421.48.880
(3' 2 9/16") 980 mm	(3' 15/16") 969 mm	[421.48.980]
(3' 6 1/2") 1080 mm	(3' 4 7/8") 1039 mm	[421.48.990]

New Item

Packing: 1 pc. (includes top runner and mounting instructions)



Easy Close Mechanism

Material: steel, plastic

Item No.
421.48.020

Packing: 1 set

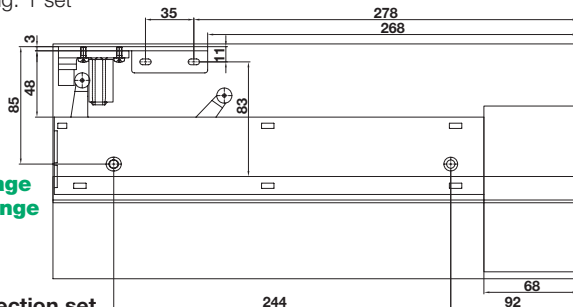


Image Change

Connection set

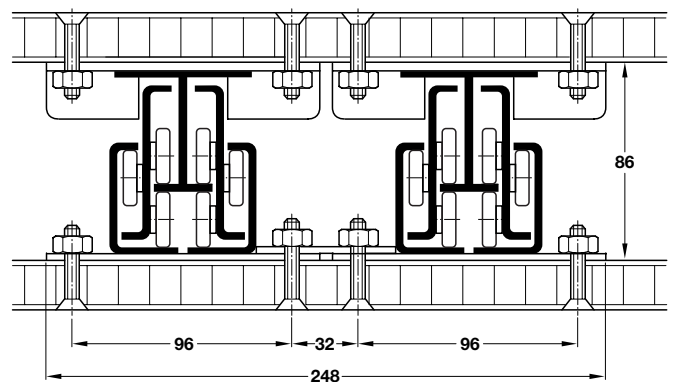
For connecting two pull out cabinet guides, for internal cabinet heights up to 2400 mm and internal cabinet widths up to 800 mm.

- Load capacity: **340 kg** (748 lbs.)
- Installation height remains the same

Material: steel

Item No.
galvanized 421.48.000

Packing: 1 set



Dimensional data not binding. We reserve the right to alter specifications without notice.

Dimensions in mm
Inches are approximate