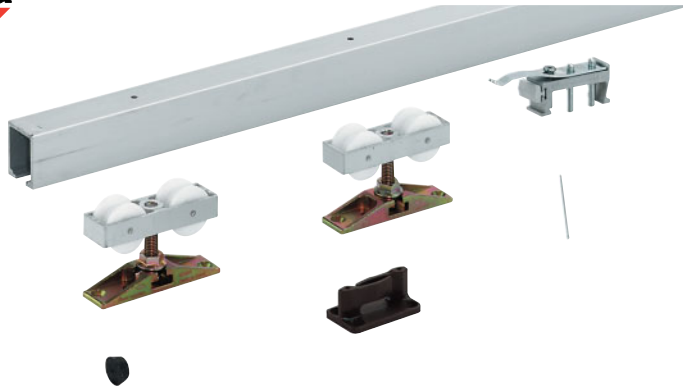


## Sliding Door Fitting Hawa Junior 80/Z

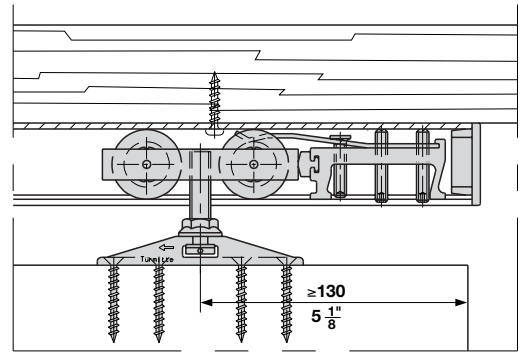
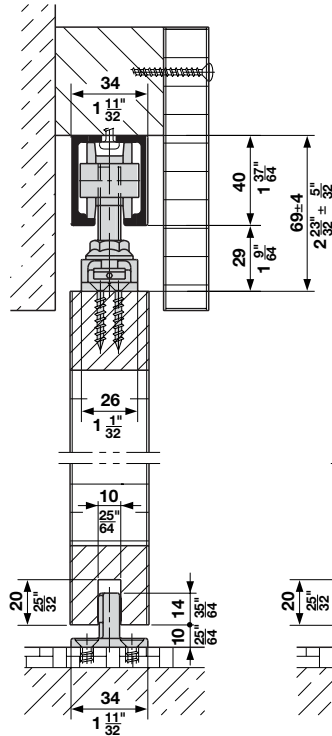


### Characteristics:

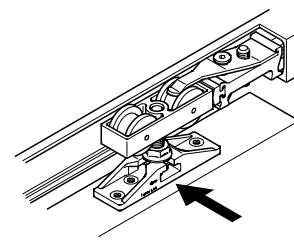
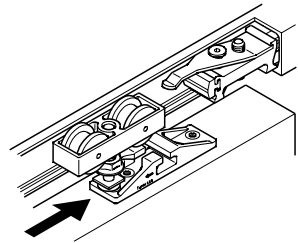
- For 1 and 2 sliding wood doors
- Smooth quiet operation
- Outstanding durability
- Rattle-free bottom guide
- Simple installation
- Special two-way suspension
- Vertically and laterally adjustable
- Door stop with adjustable retention spring

### Technical data:

- Maximum door weight: **80 kg (176 lbs.)**
- Minimum door thickness: **26 mm (1 1/32")**



The two-way suspension bracket allows the door leaf to be hung and to be taken off in two different ways:



1. From the side

Fixed pocket cover doesn't have to be removed  
Cover plate above opening has to be removable

2. From the front

Dimensional data not binding.  
We reserve the right to alter  
specifications without notice.

**15.W**

**Dimensions in mm are exact  
Inches are approximate**