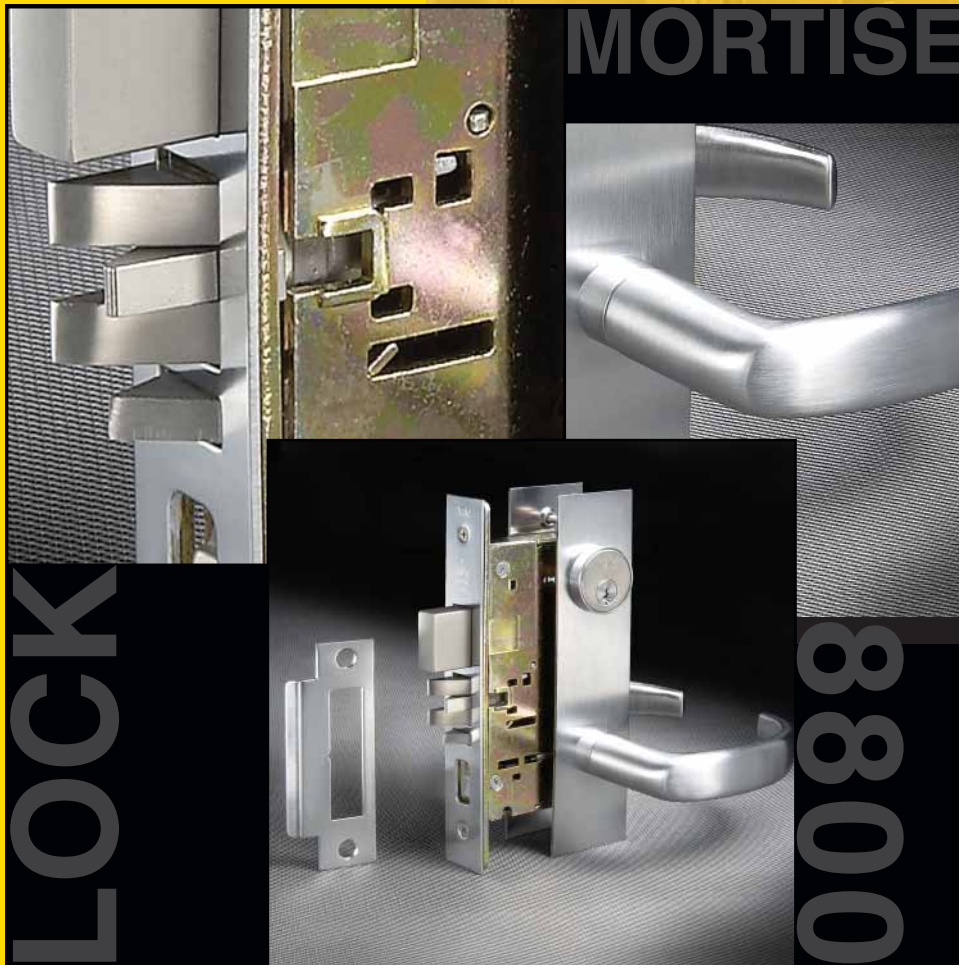


Yale®

MORTISE LOCKS

8800 SERIES

CATALOG





NEVER COMPROMISE

The value of any product is equal to the quality of the labor and materials put into making it. And Yale's 8800 Series mortise lock is a perfect example that true quality doesn't just happen. Meticulous design and engineering have gone into manufacturing a mortise lock that brings you versatility as well as uncompromising strength and durability.

With quick lever handing and a patented (Patent No. 7,108,300) quick reversible latchbolt, lockset handing takes only seconds. Add a standard non-handed curved lip strike, and you have a no-hassle mortise lock that's quick and easy to install.

When it comes to strength, the Yale® 8800 Series brings a new measure of security to the door. Its 1" throw stainless steel deadbolt extends further back into the reinforced steel case when in the locked position, providing added stability and resistance to abuse. Solid trim packages also provide deterrence to vandalism, making the 8800 Series a prime player in your total opening security package.

Need an outside trim finish that's as durable as the lock itself? PVD lifetime finish is available on bright brass, satin brass and even oxidized satin bronze.

For over 160 years, Yale Commercial Locks and Hardware has built a reputation on manufacturing products that exceed expectations of quality and reliability. The Yale 8800 Series mortise lock is no exception, and to demonstrate that quality proves itself, we back it with a 7-year mechanical warranty.

We won't compromise, and neither should you.



CONTENTS

Introduction	2
Finishes	2
Lockset Features	3
SL8800	4
Facts and Figures	5
Lever Trim Installation	5
Lever Trim	6-9
Knob Trim	10-12
Lockset Functions	13-19
Electrified	20-21
eBoss®	22
Electrified Accessories	23-25
Cylinders	26-27
Strikes	27-28
Miscellaneous	28
Occupancy Indicators	29
How to Order	30

8800

The Yale 8800 Series Mortise Lock is an industry standard product. Suitable for installation on doors 1-3/4" to 3-1/4" thick, these products have a 1" throw stainless steel deadbolt with two enclosed hardened steel roller armor pins. The latchbolt is 3/4" throw with stainless steel two-piece anti-friction camming action.

SL8800

The SL8800 features extra heavy-duty lever escutcheon trim and is designed for institutional use including minimum security prisons. The internal components of the lock body have been modified to resist forced entry.

FINISHES

The Yale 8800 Series Mortise Lock is available in the trim finishes as listed. All knobs, lever handles, roses, escutcheons, cylinder rings and other exposed parts are fabricated of either brass, bronze, or stainless steel and will be compatible with the finish ordered. When ordering, specify the finish required by the ANSI/BHMA Code Number only. When locksets are ordered with different trim finishes on each side, specify the outside finish first, i.e. COR8817-2 x 612 x 625. The front and strike finish will match the inside finish unless specified otherwise.

PVD LIFETIME FINISH

Physical Vapor Deposition (PVD) is a technologically advanced finish coating that provides the ultimate surface protection against environmental elements and everyday wear and tear. PVD matches clear coated finishes in appearance, yet surpasses them in durability. Yale® warrants all its PVD finishes against corrosion, tarnish, wear, discoloring and peeling for the lifetime of the part to which it has been applied. Ask your sales representative for specific warranty information.

ANSI/ BHMA Code	Finish Description
605	Bright Brass, Clear Coated
605e*	Bright Brass, PVD
606	Satin Brass, Clear Coated
606e*	Satin Brass, PVD
609	Satin Brass, Blackened, Satin Relieved, Clear Coated
611	Bright Bronze, Clear Coated
612	Satin Bronze, Clear Coated
613	Dark Oxidized Satin Bronze, Oil Rubbed
613e*	Dark Oxidized Satin Bronze, PVD
616	Satin Bronze, Blackened, and Satin Relieved, Clear Coated
619	Satin Nickel Plated, Clear Coated
620	Satin Nickel Plated, Blackened, Satin Relieved, Clear Coated
625	Bright Chrome Plated
626	Satin Chrome Plated
629	Bright Stainless Steel
630	Satin Stainless Steel

* PVD Lifetime Finish 8800 Series Mortise Lock



LOCKSET FEATURES

A.D.A.

The 8800FL meets accessibility guidelines of the Americans with Disabilities Act and the requirements of the Uniform Federal Accessibility standards and ANSI 117.1, all requiring ease of accessibility for the handicapped.

ANSI/BHMA



Certified ANSI/BHMA A156.13, Series 1000, Operational Grade 1 (SL8800 meets Security Grade 1).

BEVEL FRONT

Yale 8800 Series fronts are free-floating to adjust from flat to the standard bevel of 1/8" in 2".

DOOR THICKNESS

8800 Series Mortise Locks are supplied as standard for 1-3/4" - 3-1/4" thick doors. For other than standard, specify the door thickness on the order: (i.e. 1-1/2", 2", 2-1/4", etc.)

INSTALLATIONS

8800 Series Mortise Locks conform to ANSI/BHMA Specifications A156.115 which cover hardware preparations for steel doors and steel frames and A156.115-W which cover hardware preparations for wood doors with wood or steel frames.

ISO 9001

Designed and manufactured under a certified ISO 9001 quality system.

KNURLED KNOB DESIGNS

Where required by the local authority, trim can be knurled to be identifiable to the touch for blind persons. All knob designs except CA may be ordered knurled; all lever designs except designer trim (page 9) may be ordered knurled.

Only the outside knob or lever will be knurled or abrasive coated unless specified otherwise. To order a complete lockset knurled or abrasive coated, suffix the lockset model number with "Knurled" or "Abrasive Coated," i.e. LFE8807 x "Knurled," LFE8817-2 x "Knurled Inside Only," AUE8828FL x "Abrasive Coated."

LEAD SHIELDING

All Yale 8800 Series Mortise Locks are available with a lead shield for installation in lead-lined doors. To order, suffix the lockset model number with "lead-lined."

QUICK REVERSIBILITY

Yale mortise locks with the same trim on both sides (knob x knob or lever x lever) are field reversible. These locks can be converted to accommodate the hand of the door. However, to reduce installation costs, it is recommended that the hand of the door be specified for each lockset ordered. If the hand of the door is not specified, RH will be furnished.

UNDERWRITERS LABORATORIES (U.L.)

Yale 8800 Series Mortise Locks have been listed by Underwriters Laboratories Inc. for use on fire doors having a rating up to and including 3 hours. This pertains to single swing doors not exceeding 4 feet in width and 8 feet in height and in doors mounted in pairs not exceeding 8 feet in either direction (unless otherwise noted in the individual listings.)

In general, single-point mortise locks or latches with 3/4" minimum latch throw are intended for the active leaf of doors mounted in pairs, with the inactive leaf provided with top and bottom flush or surface bolts of the manual, automatic, or self-latching type. The door Classification Marking specifies the minimum latch throw required for the individual door.

Yale 8800 Series Mortise Locks with 3/4" throw latchbolts may also be used on single swing doors rated 1-1/2 hours or less, up to 4 feet in width and 9 feet in height. This is in addition to the rating mentioned above. All Yale 8800 Series Mortise Locks with Lever Handle Trim are UL listed for fire door applications. Underwriters Laboratories does not list locks with rabbeted fronts, locks with deadbolt only, or locks with hold-back feature on the latchbolt.

WARRANTY

Yale 8800 series mechanical mortise locks carry a 7-year warranty and 8800 series electrified mortise locks carry a 2-year warranty.

WINDSTORM

Certified (refer to local codes).

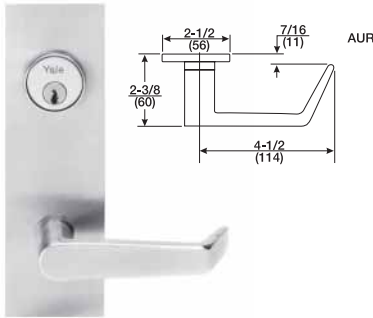


SL8800

Specifications for all levers below:

SL Escutcheon: 8" x 2-1/2"
Cylinder Ring: Standard, No. 1765
Material: Stainless steel escutcheon; Brass lever (plated to match stainless steel)

AUGUSTA - AUSL



ARCADIA - ARSL



CARMEL - CRSL



JEFFERSON - JNSL



MONROE - MOSL



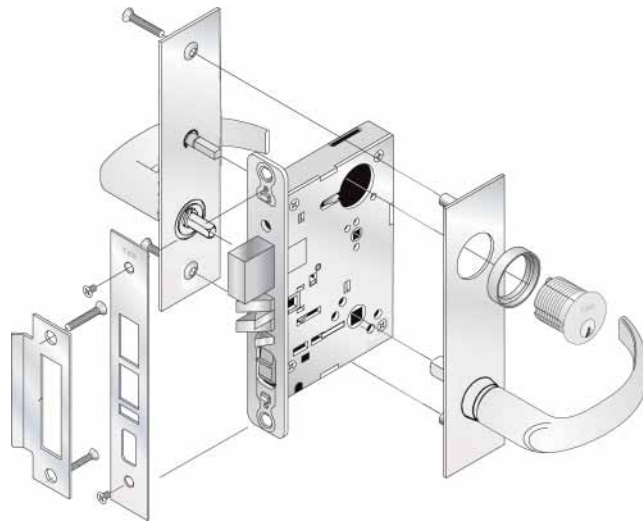
PACIFIC BEACH - PBSL



VIRGINIA - VISL



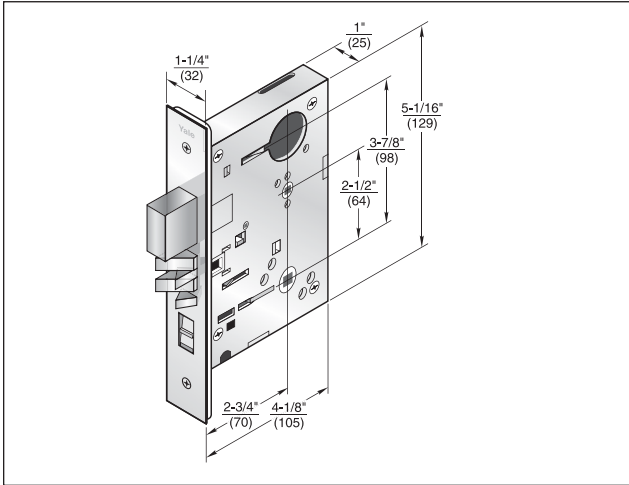
- The SL8800 Series Mortise Lock features heavy-duty lever escutcheon trim and is designed primarily for applications in schools and other institutions where excessive abuse and vandalism may occur. It is also recommended for use in minimum security prisons and office buildings or apartment buildings located in "high crime" areas.
- Yale® SL8800 Series lever escutcheon trims feature through-bolted installation with security head screws.
- Outside trim is held in place by threaded posts. Posts fit through holes in the door, above and below the lock case, and are secured by through-bolts from the inside trim.
- Heat-treated spindle resists breaking up to 1,200 inch pounds of torque.
- Levers are attached to the escutcheon for added security.
- Yale outside escutcheon trims have no visible screws – a great deterrent to vandalism.
- At 2-1/2" wide and 3/16" thick, escutcheon is wider and more than twice as thick as standard escutcheons.
- Each mortise lock ordered with lever trim features an internal heavy-duty spring cartridge which prevents lever sag.
- All Yale mortise lock trims are UL listed for fire door applications.
- SL8800's are offered with Augusta, Arcadia, Carmel, Jefferson, Monroe, Pacific Beach and Virginia lever handle escutcheon trims.
- SL8800 Series Mortise Locks are available in most lock functions. (See pages 13-19.)





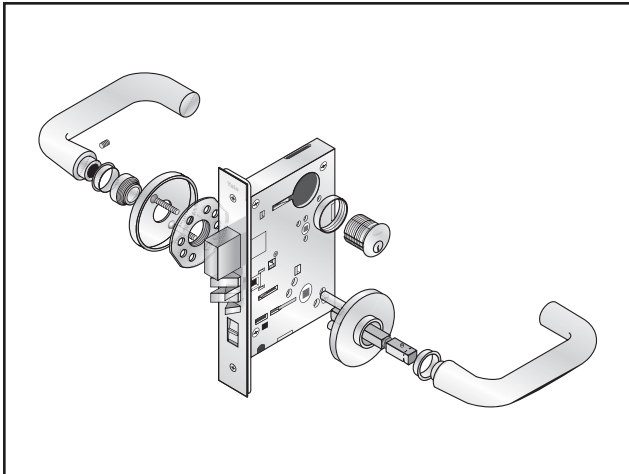
FACTS AND FIGURES

8800/SL8800 SERIES



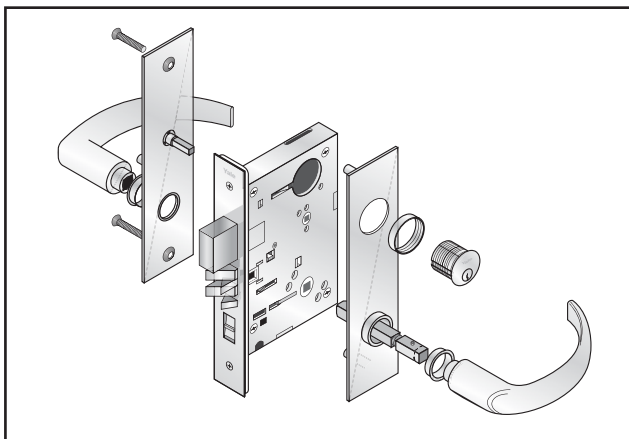
- Armor Front** - 8" x 1-1/4"
- Door Thickness** - 1-3/4" standard, to 3-1/4" thick doors to order.
- Deadbolt** - 1" throw, stainless steel with two enclosed hardened-steel roller armor pins.
- Latchbolt** - 3/4" throw, stainless steel two-piece anti-friction camming action.
- UL Listed** - for application on labeled fire doors.
- Backset** - 2-3/4" only.
- Case** - wrought steel, zinc dichromated.
- Hubs** - Solid steel, fine-blanked and heat treated for additional strength.
- Levers/Knobs** - 3/8" spindles (SL8800 - available in levers only.)

SECTIONAL LEVER INSTALLATION



- All Yale® 8800 Series sectional lever trims feature through-bolted installation. This ensures positive alignment of the trim with the lock case and offers an attractive appearance.
- Outside trim is held in place by threaded posts. The posts fit through holes in the lock case and are secured by through-bolts from the inside trim.
- Since self-aligning trim is easy to install, on-the-job labor costs may be reduced.
- Each mortise lock ordered with lever trim features an internal heavy-duty spring cartridge which prevents lever sag.
- All Yale mortise lock trims are UL listed for fire door applications.
- A variety of sectional lever designs are available as shown on pages 6-9.

ESCUTCHEON LEVER INSTALLATION



- All Yale 8800 Series escutcheon lever trims, with the exception of the Easton (CE) surface-mounted escutcheon trim, feature through-bolted installation.
- Outside trim is held in place by threaded posts. The posts fit through the door and are secured by through-bolts from the inside trim.
- Yale outside escutcheon trims have no visible screws – a great deterrent to vandalism.
- Each mortise lock ordered with lever trim features an internal heavy-duty spring cartridge which prevents lever sag.
- All Yale mortise lock trims are UL listed for fire door applications.
- A variety of escutcheon lever designs are available as shown on pages 6-9.

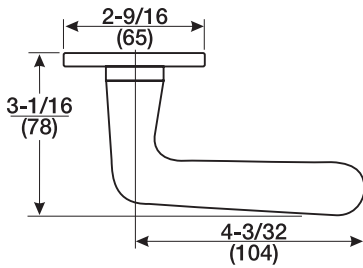


LEVER TRIM

ARCADIA - ARR

AR Lever Handle: Solid Cast
***CO Rose:** Cold forged, reinforced
Cylinder Ring: Standard, No. 1765
Material: Brass, Bronze, Stainless Steel

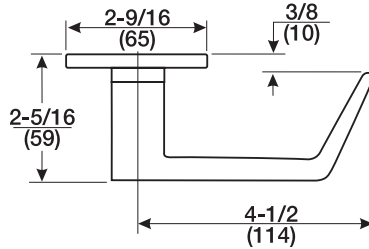
*Optional rose MF: See page 12 for description and material.



AUGUSTA - AUR

AU Lever Handle: Solid Cast
***CO Rose:** Cold forged, reinforced
Cylinder Ring: Standard, No. 1765
Material: Brass, Bronze, Stainless Steel

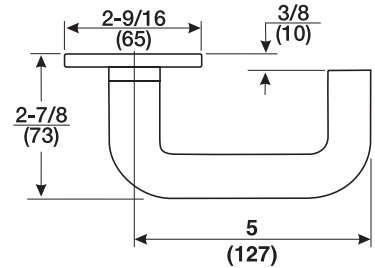
*Optional rose MF: See page 12 for description and material.



CARMEL - CRR

CR Lever Handle: Solid Cast
***CO Rose:** Cold forged, reinforced
Cylinder Ring: Standard, No. 1765
Material: Brass, Bronze, Stainless Steel

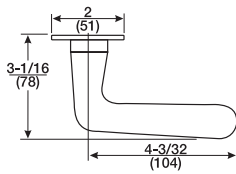
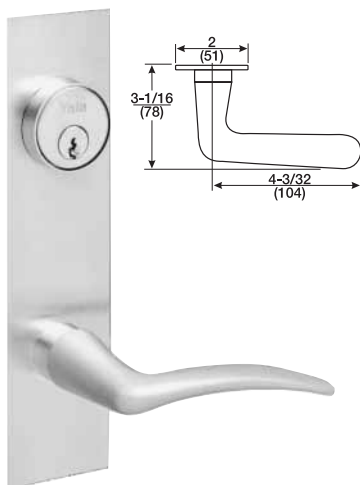
*Optional rose MF: See page 12 for description and material.



ARCADIA - ARE

AR Lever Handle: Solid Cast
***CO Escutcheon:** Heavy cold forged
Cylinder Ring: Standard, No. 1765
Material: Brass, Bronze, Stainless Steel

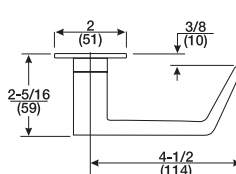
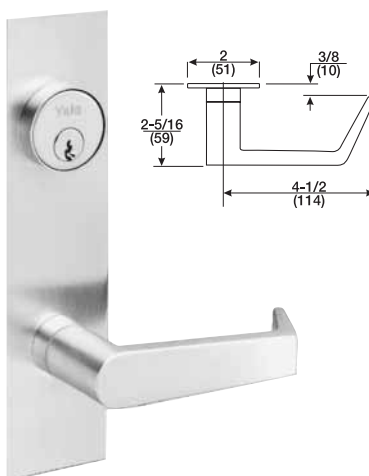
*Optional escutcheons: LN and CE. See page 12 for description and material.



AUGUSTA - AUE

AU Lever Handle: Solid Cast
***CO Escutcheon:** Heavy cold forged
Cylinder Ring: Standard, No. 1765
Material: Brass, Bronze, Stainless Steel

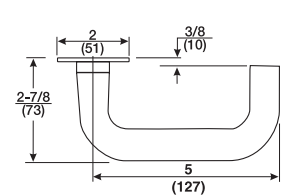
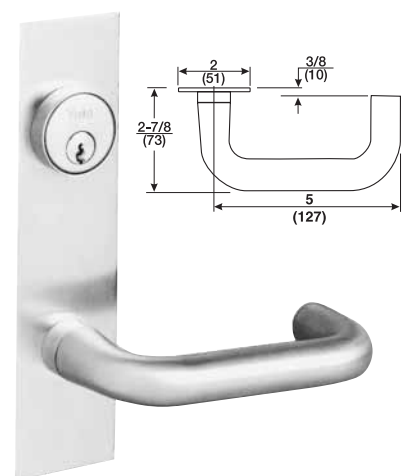
*Optional escutcheons: LN and CE. See page 12 for description and material.



CARMEL - CRE

CR Lever Handle: Solid Cast
***CO Escutcheon:** Heavy cold forged
Cylinder Ring: Standard, No. 1765
Material: Brass, Bronze, Stainless Steel

*Optional escutcheons: LN and CE. See page 12 for description and material.



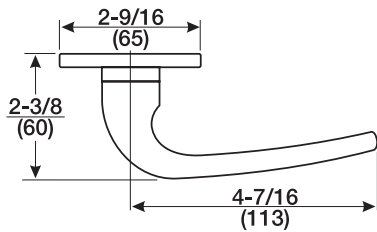


LEVER TRIM

JEFFERSON - JNR

JN Lever Handle: Solid Cast
***CO Rose:** Cold forged, reinforced
Cylinder Ring: Standard, No. 1765
Material: Brass, Bronze, Stainless Steel

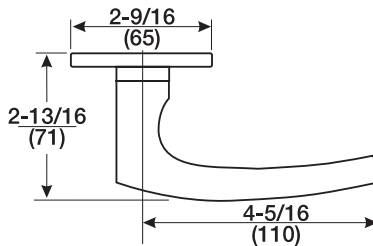
*Optional rose MF: See page 12 for description and material.



MONROE - MOR

MO Lever Handle: Brass (solid cast), Bronze (solid cast), Stainless Steel (wrought).
***CO Rose:** Cold forged, reinforced
Cylinder Ring: Standard, No. 1765
Material: Brass, Bronze, Stainless Steel

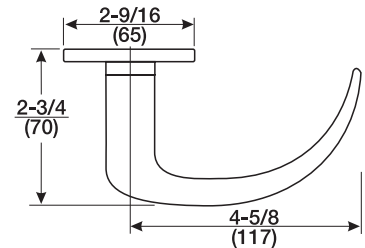
*Optional rose MF: See page 12 for description and material.



PACIFIC BEACH - PBR

PB Lever Handle: Solid Cast
***CO Rose:** Cold forged, reinforced
Cylinder Ring: Standard, No. 1765
Material: Brass, Bronze, Stainless Steel

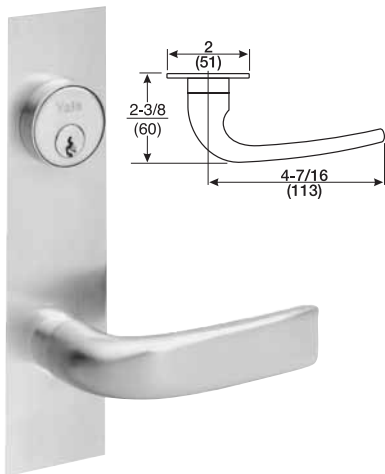
*Optional rose MF: See page 12 for description and material.



JEFFERSON - JNE

JN Lever Handle: Solid Cast
***CO Escutcheon:** Heavy cold forged
Cylinder Ring: Standard, No. 1765
Material: Brass, Bronze, Stainless Steel

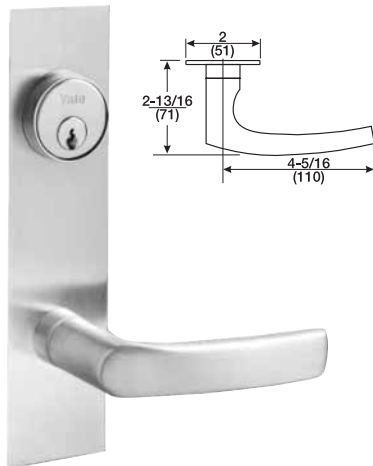
*Optional escutcheons: LN and CE. See page 12 for description and material.



MONROE - MOE

MO Lever Handle: Brass (solid cast), Bronze (solid cast), Stainless Steel (wrought).
***CO Escutcheon:** Heavy cold forged
Cylinder Ring: Standard, No. 1765
Material: Brass, Bronze, Stainless Steel

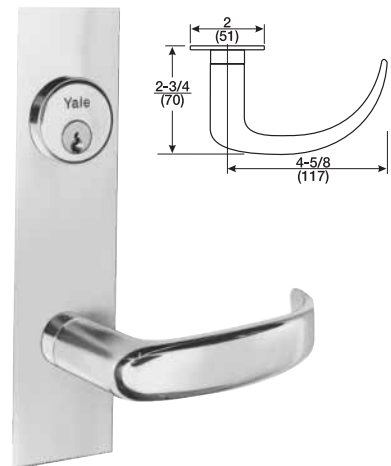
*Optional escutcheons: LN and CE. See page 12 for description and material.



PACIFIC BEACH - PBE

PB Lever Handle: Solid Cast
***CO Escutcheon:** Heavy cold forged
Cylinder Ring: Standard, No. 1765
Material: Brass, Bronze, Stainless Steel

*Optional escutcheons: LN and CE. See page 12 for description and material.



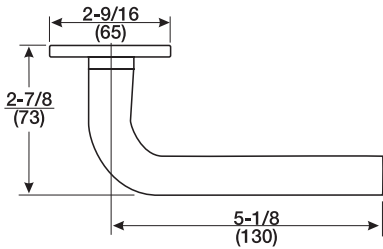


LEVER TRIM

PINEHURST - PNR

PN Lever Handle: Wrought
*CO Rose: Cold forged, reinforced
Cylinder Ring: Standard, No. 1765
Material: Brass, Bronze, Stainless Steel

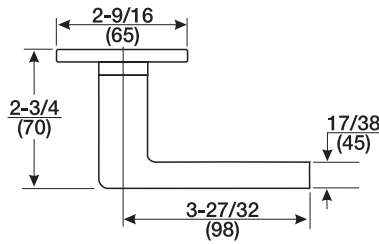
*Optional rose MF: See page 12 for description and material.



VIRGINIA - VIR

VI Lever Handle: Solid Cast
*CO Rose: Cold forged, reinforced
Cylinder Ring: Standard, No. 1765
Material: Brass, Bronze, Stainless Steel

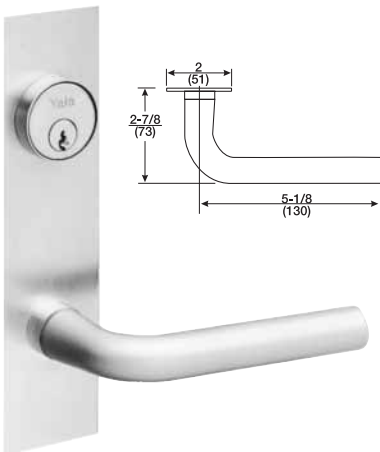
*Optional rose MF: See page 12 for description and material.



PINEHURST - PNE

PN Lever Handle: Wrought
*CO Escutcheon: Heavy cold forged
Cylinder Ring: Standard, No. 1765
Material: Brass, Bronze, Stainless Steel

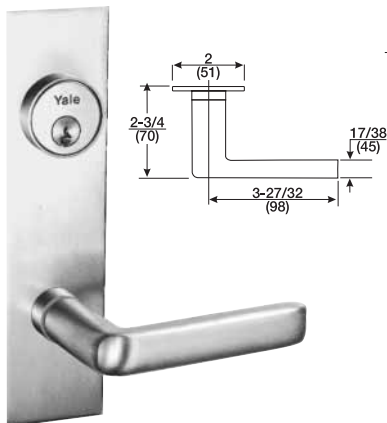
*Optional escutcheons: LN and CE. See page 12 for description and material.



VIRGINIA - VIE

VI Lever Handle: Solid Cast
*CO Escutcheon: Heavy cold forged
Cylinder Ring: Standard, No. 1765
Material: Brass, Bronze, Stainless Steel

*Optional escutcheons: LN and CE. See page 12 for description and material.



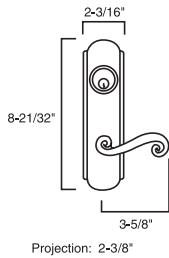


DESIGNER TRIM

CHARLESTON - CH



CHE1

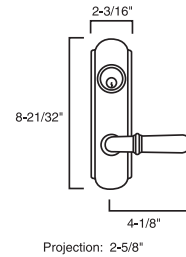


CHR1

HAMPTON - HA



HAE1

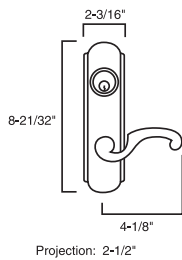


HAR1

WELLINGTON - WE



WEE1



WER1

ESCUTCHEONS, ROSES AND PARTS



E1

E2



R1



R2



Emergency Release



Thumbturn
1-1/2" x 1"
Projection

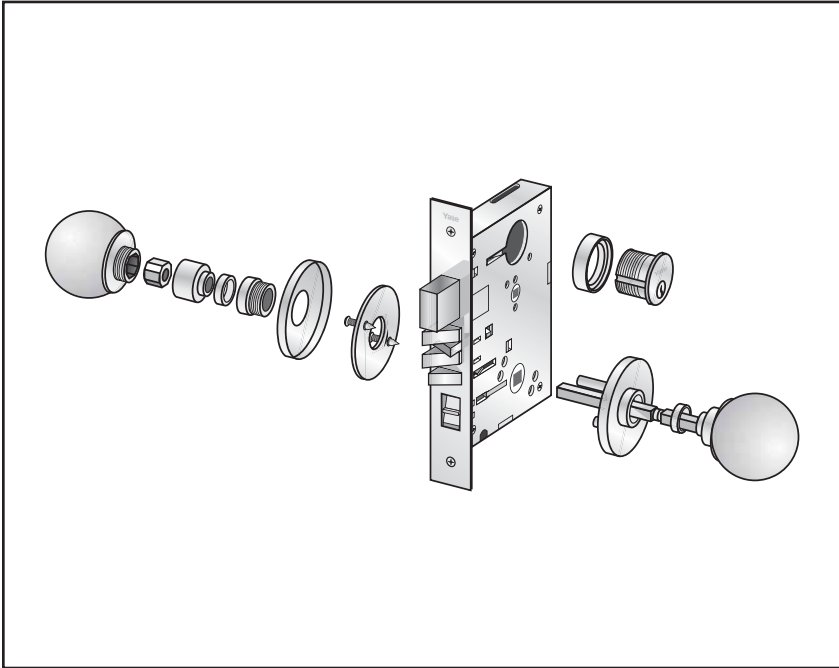
Designer trims are available in only the following finishes: 605, 605e, 606 606e, 619, 625, 626

Designer trims are available with a choice of two roses and two escutcheons. When ordering utilize the design symbol (i.e. CH) and specific rose or escutcheon symbol (R1, R2, E1 or E2). An example of a complete symbol, including lever design, would be CHE1. Escutcheon E1 and Rose R1 are shown with above lever designs.



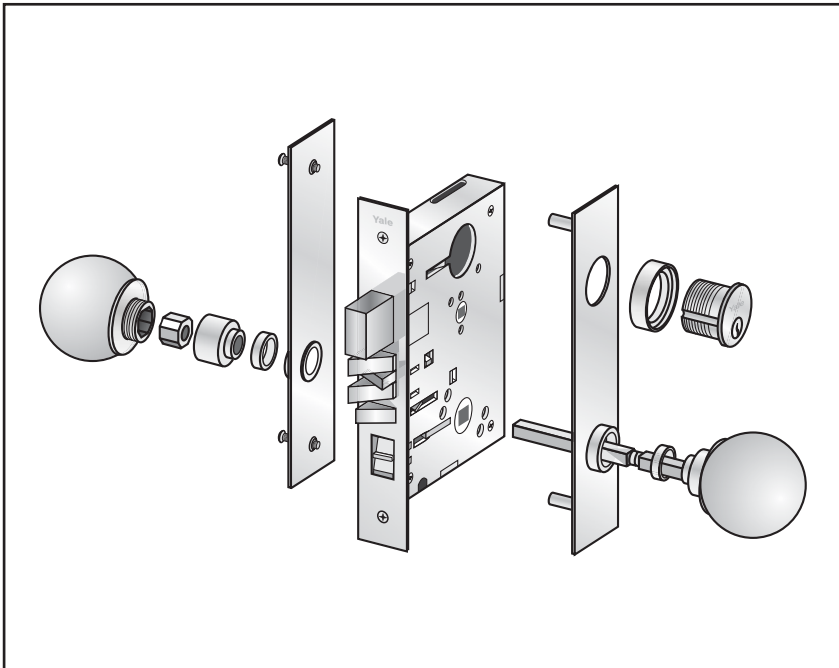
KNOB TRIM INSTALLATION

SECTIONAL KNOB INSTALLATION



- All Yale® 8800 Series sectional knob trims feature through-bolted installation. This ensures positive alignment of the trim with the lock case and offers an attractive appearance.
- Outside trim is held in place by threaded posts. The posts fit through holes in the lock case and are secured by through-bolts from the inside trim.
- Since self-aligning trim is easy to install, on-the-job labor costs may be reduced.
- All Yale mortise lock trims are UL listed for fire door applications.
- A variety of sectional knob designs are available as shown on pages 11-12.

ESCUTCHEON KNOB INSTALLATION



- All Yale 8800 Series escutcheon knob trims, with the exception of the Easton (CE) surface-mounted escutcheon trim, feature through-bolted installation.
- Outside trim is held in place by threaded posts. The posts fit through the door and are secured by through-bolts from the inside trim.
- Yale outside escutcheon trims have no visible screws – a great deterrent to vandalism – except the Easton trim which is used primarily as a replacement for similar trim.
- All Yale mortise lock trims are UL listed for fire door applications.
- A variety of escutcheon knob designs are available as shown on pages 11-12.

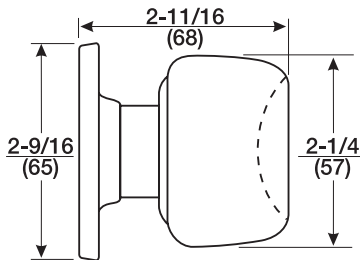


KNOB TRIM

BRANDYWINE - BRR

BR Knob: Heavy cold forged
***CO Rose:** Cold forged, reinforced
Cylinder Ring: Standard, No. 1135
Material: Brass, Bronze, Stainless Steel

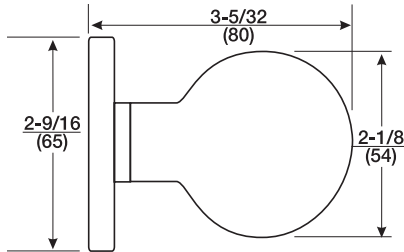
*Optional rose MF: See page 12 for description and material.



CAROLINA - CAR

CA Knob: Cold forged
***CO Rose:** Cold forged, reinforced
Cylinder Ring: Standard, No. 1135
Material: Brass, Bronze, Steel

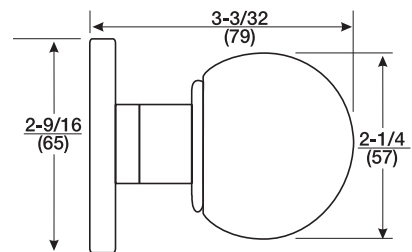
*Optional rose MF: See page 12 for description and material.



COPENHAGEN - COR

CO Knob: Heavy cold forged, reinforced
***CO Rose:** Cold forged, reinforced
Cylinder Ring: Standard, No. 1765
Material: Brass, Bronze, Stainless Steel

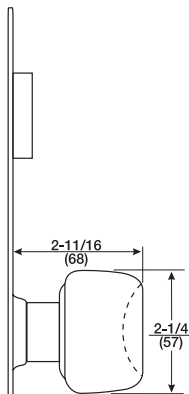
*Optional rose MF: See page 12 for description and material.



BRANDYWINE - BRE

BR Knob: Heavy cold forged
***CO Escutcheon:** Heavy cold forged
Cylinder Ring: Standard, No. 1765
Material: Brass, Bronze, Stainless Steel

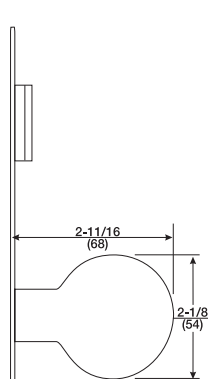
*Optional escutcheons: LN and CE. See page 12 for description and material.



CAROLINA - CAE

CA Knob: Cold forged
***WG Escutcheon:** Heavy cold forged
Cylinder Ring: Standard, No. 1134
Material: Brass, Bronze, Steel

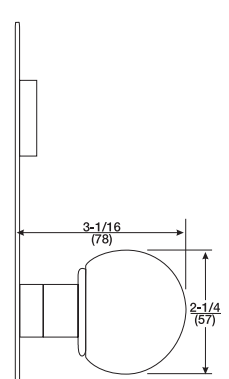
*WG only available with CA knob.



COPENHAGEN - COE

CO Knob: Heavy cold forged, reinforced
***CO Escutcheon:** Heavy cold forged
Cylinder Ring: Standard, No. 1765
Material: Brass, Bronze, Stainless Steel

*Optional escutcheons: LN and CE. See page 12 for description and material.



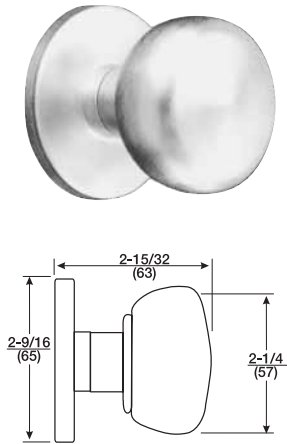


KNOB TRIM AND OPTIONAL ROSE/ESCUTCHEON

LITCHFIELD - LFR

LF Knob: Heavy cold forged, reinforced
***CO Rose:** Cold forged, reinforced
Cylinder Ring: Standard, No. 1135
Material: Brass, Bronze, Stainless Steel

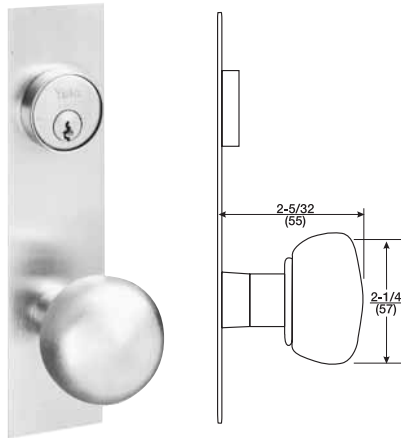
*Optional rose MF: See below for description and material.



LITCHFIELD - LFE

LF Knob: Heavy cold forged, reinforced
***CO Escutcheon:** Heavy cold forged
Cylinder Ring: Standard, No. 1765
Material: Brass, Bronze, Stainless Steel

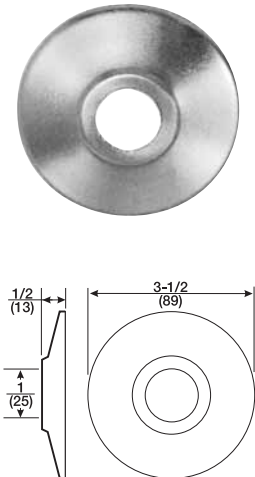
*Optional escutcheons: LN and CE. See below for descriptions and material.



OPTIONAL ROSE AND ESCUTCHEONS

MAYFAIR - MF ROSE

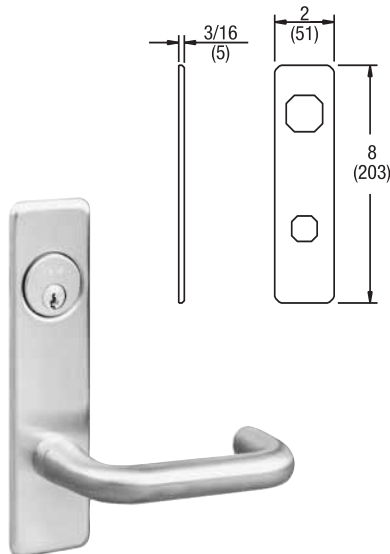
Description: Cold forged, reinforced
Material: Brass, Bronze, Stainless Steel



LENOIR - LN ESCUTCHEON

Description: Heavy cold forged
Cylinder Ring: Standard, No. 1134 - all others 1765
Material: Brass, Bronze, Stainless Steel

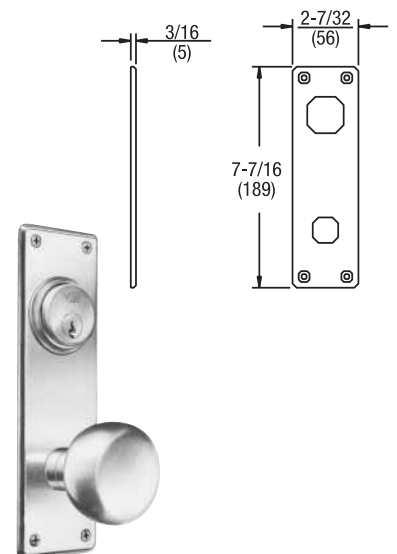
CR x LN Shown.



EASTON - CE ESCUTCHEON

Description: Heavy cold forged, surface mounted
Cylinder Ring: Standard, No. 1135
Material: Brass, Bronze, Stainless Steel

LF x CE Shown.



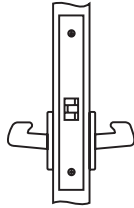


8800 MECHANICAL FUNCTIONS AND DESCRIPTIONS

8801 PASSAGE LATCH (F01)

- For doors that do not require locking.
- Latchbolt retracted by knob/lever either side at all times.

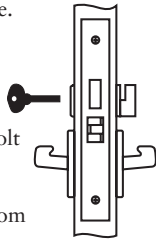
Spindles:
 Knobs: 3/8" (10mm), N1171-1/2
 Levers: 3/8" (10mm), 1173L



Model Numbers		Latchbolt Throw
Knobs	Levers	
8801	8801FL	3/4"
	SL8801FL	3/4"

8802 PRIVACY LOCK (F19)

- Latchbolt retracted by knob/lever either side.
- Deadbolt operated by thumbturn inside.
- When the deadbolt is projected, outside knob/lever is automatically locked.
- Anti-panic operation. Operating inside knob/lever retracts the latchbolt and deadbolt simultaneously, automatically unlocking outside knob/lever.
- In emergency, deadbolt may be unlocked from outside by E203 emergency key, supplied.

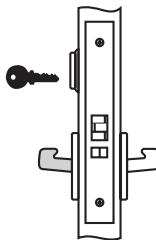


Spindles:
 Knobs: 3/8" (10mm), 1175K
 Levers: 3/8" (10mm), 1178L

Model Numbers		Throw	
Knobs	Levers	Latchbolt	Deadbolt
8802	8802FL	3/4"	1"
	SL8802FL	3/4"	1"

8805 STOREROOM OR CLOSET LOCK (F07)

- For use on storeroom, utility, exit doors.
- Latchbolt retracted by key outside, knob/lever inside.
- Outside knob/lever rigid at all times.
- Inside knob/lever always active.
- Deadlocking latchbolt.

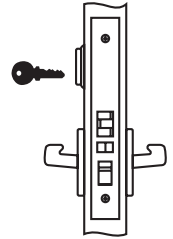


†Cylinder Code: A
Spindles:
 Knobs: 3/8" (10mm), 1175K
 Levers: 3/8" (10mm), 1178L

Model Numbers		Latchbolt Throw
Knobs	Levers	
8805	8805FL	3/4"
	SL8805FL	3/4"

8807 ENTRANCE LOCK (F04)

- For office doors where locking is required.
- Latchbolt retracted by knob/lever either side, except when outside knob/lever is locked by stopwork activator.
- When outside knob/lever is locked, latchbolt is operated by key outside and knob/lever inside.
- Deadlocking latchbolt.

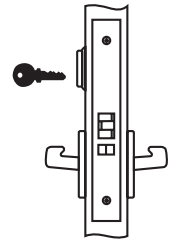


†Cylinder Code: A
Spindles:
 Knobs: 3/8" (10mm), 1175K
 Levers: 3/8" (10mm), 1178L

Model Numbers		Latchbolt Throw
Knobs	Levers	
8807	8807FL	3/4"
	SL8807FL	3/4"

8808 CLASSROOM LOCK (F05)

- For classroom, office, or utility room doors.
- Latchbolt retracted by knob/lever either side, except when outside knob/lever is locked by key outside.
- Inside knob/lever always active.
- Deadlocking latchbolt.

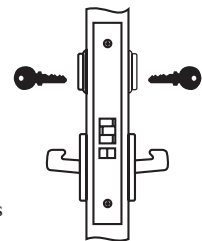


†Cylinder Code: A
Spindles:
 Knobs: 3/8" (10mm), 1175K
 Levers: 3/8" (10mm), 1178L

Model Numbers		Latchbolt Throw
Knobs	Levers	
8808	8808FL	3/4"
	SL8808FL	3/4"

8808-2 CLASSROOM LOCK (F32)

- Latchbolt retracted by knob/lever either side unless outside knob/lever is locked by key.
- Either cylinder locks or unlocks outside knob/lever.
- Latchbolt can be retracted by key when outside knob/lever is locked.
- Operating inside knob/lever retracts latchbolt, but outside knob/lever remains locked.
- Deadlocking latchbolt.



†Cylinder Code: B
Spindles:
 Knobs: 3/8" (10mm), 1175K
 Levers: 3/8" (10mm), 1178L

Model Numbers		Latchbolt Throw
Knobs	Levers	
8808-2	8808-2FL	3/4"
	SL8808-2FL	3/4"

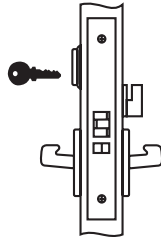
†Cylinder Code defines the cylinder supplied as standard for each lock and the optional cylinder available. See Page 26.



LOCKSET FUNCTIONS

8809 CLASSROOM OR OFFICE LOCK

- Latchbolt retracted by knob/lever either side unless outside knob/lever is locked by key outside or thumbturn inside.
- Latchbolt retracted by thumbturn inside.
- Inside knob/lever always active.
- Deadlocking latchbolt.

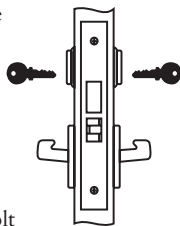


†Cylinder Code: A
 Spindles:
 Knobs: 3/8" (10mm), 1175K
 Levers: 3/8" (10mm), 1178L

Model Numbers		Latchbolt Throw
Knobs	Levers	
8809	8809FL	3/4"
	SL8809FL	3/4"

8811-2 CLASSROOM DEADBOLT LOCK (F33)

- Latchbolt retracted by knob/lever either side unless outside knob/lever is locked by key.
- Deadbolt operated by key either side.
- When deadbolt is projected, outside knob/lever is automatically locked.
- Key retraction of deadbolt unlocks outside knob/lever.
- Anti-panic operation. Operating inside knob/lever retracts the latchbolt and deadbolt simultaneously, automatically unlocking outside knob/lever.

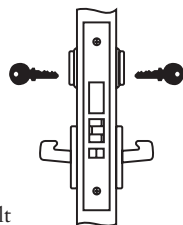


†Cylinder Code: B
 Spindles:
 Knobs: 3/8" (10mm), 1175K
 Levers: 3/8" (10mm), 1178L

Model Numbers		Throw	
Knobs	Levers	Latchbolt	Deadbolt
8811-2	8811-2FL	3/4"	1"
	SL8811-2FL	3/4"	1"

8812-2 CLASSROOM SECURITY LOCK (F34)

- Latchbolt retracted by knob/lever either side unless outside knob/lever is locked by key.
- Deadbolt operated by key either side.
- When deadbolt is projected, outside knob/lever is automatically locked.
- Key retraction of deadbolt unlocks outside knob/lever.
- Anti-panic operation. Operating inside knob/lever retracts the latchbolt and deadbolt simultaneously, automatically unlocking outside knob/lever.
- Deadlocking latchbolt.

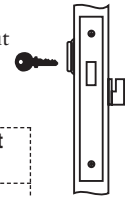


†Cylinder Code: B
 Spindles:
 Knobs: 3/8" (10mm), 1175K
 Levers: 3/8" (10mm), 1178L

Model Numbers		Throw	
Knobs	Levers	Latchbolt	Deadbolt
8812-2	8812-2FL	3/4"	1"
	SL8812-2FL	3/4"	1"

8813ST CLASSROOM DEADLOCK (F29)

- Deadbolt operated by key outside, thumbturn inside.
- Thumbturn inside will retract the deadbolt but will not project it.
- NOT UL listed.

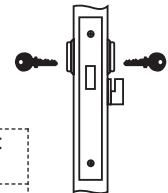


†Cylinder Code: A

Model Number	Deadbolt Throw
8813ST	1"

8813ST-2 CLASSROOM DEADLOCK

- Deadbolt operated by key either side.
- Thumbturn inside will retract the deadbolt but will not project it.
- NOT UL listed.



†Cylinder Code: B

Model Number	Deadbolt Throw
8813ST-2	1"

8814 DEADLOCK (F18)

- Deadbolt operated by key outside only.
- No inside operation.
- NOT UL listed.

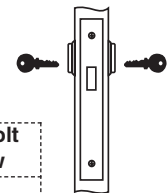


†Cylinder Code: A

Model Number	Deadbolt Throw
8814	1"

8814-2 DEADLOCK (F16)

- Deadbolt operated by key either side.
 - NOT UL listed.
- Note: Use only on rooms with more than one exit.



†Cylinder Code: B

Model Number	Deadbolt Throw
8814-2	1"

8815 DEADLOCK (F17)

- Deadbolt operated by key outside, thumbturn inside.
- NOT UL listed.



†Cylinder Code: A

Model Number	Deadbolt Throw
8815	1"

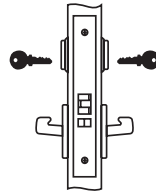
†Cylinder Code defines the cylinder supplied as standard for each lock and the optional cylinder available. See Page 26.



LOCKSET FUNCTIONS

8817-2 APARTMENT, EXIT OR PUBLIC TOILET LOCK (F09)

- Latchbolt retracted by knob/lever either side, except when outside knob/lever is locked by key inside.
- When outside knob/lever is locked, latchbolt is operated by key outside and knob/lever inside.
- Deadlocking latchbolt.



†Cylinder Code: C

Spindles:

Knobs: 3/8" (10mm),

1175K

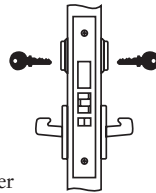
Levers: 3/8" (10mm),

1178L

Model Numbers		Latchbolt Throw	
Knobs	Levers	Latchbolt	Deadbolt
8817-2	8817-2FL	3/4"	
	SL8817-2FL	3/4"	

8818-2 CLASSROOM SECURITY INTRUDER LOCK

- Latchbolt retracted by knob/lever unless outside knob/lever is locked by key.
- Deadbolt operated by key either side.
- When deadbolt is projected, outside knob/lever is automatically locked.
- Key retraction of latchbolt by either side unlocks outside knob/lever.
- Anti-panic operation. Operating inside knob/lever retracts the latchbolt and deadbolt simultaneously, automatically unlocking outside knob/lever.
- Deadlocking latchbolt.



†Cylinder Code: B

Spindles:

Knobs: 3/8"

(10mm), 1175K

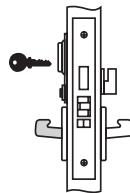
Levers: 3/8"

(10mm), 1178L

Model Numbers		Throw	
Knobs	Levers	Latchbolt	Deadbolt
8818-2	8818-2FL	3/4"	1"
	SL8818-2FL	3/4"	1"

8820 HOTEL/MOTEL LOCK (F15)

- Latchbolt retracted by key outside, knob/lever inside.
- Latchbolt retracted by master keys and change keys only when deadbolt is NOT projected.
- Deadbolt operated by emergency/shut-out or display key outside and thumbturn inside.
- When deadbolt is projected, the indicator button projects out (indicating room is occupied). Access from outside can be gained only with an emergency/shut-out or display key.
- Outside knob/lever rigid at all times.
- Anti-panic operation. Operating inside knob/lever retracts the latchbolt and deadbolt simultaneously.
- Deadlocking latchbolt.



†Cylinder Code: E

Master key system must be 7-pin.

Spindles:

Knob: 3/8" (10mm),

1175K

Levers: 3/8" (10mm),

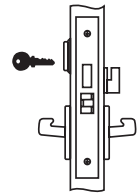
1178L

Model Numbers		Throw	
Knobs	Levers	Latchbolt	Deadbolt
8820	8820FL	3/4"	1"
	SL8820FL	3/4"	1"

†Cylinder Code defines the cylinder supplied as standard for each lock and the optional cylinder available. See Page 26.

8822 DORMITORY LOCK (F13)

- Latchbolt retracted by knob/lever either side.
- Deadbolt operated by key outside and thumbturn inside.
- When the deadbolt is projected, outside knob/lever is automatically locked.
- Anti-panic operation. Operating inside knob/lever retracts the latchbolt and deadbolt simultaneously, automatically unlocking outside knob/lever.



†Cylinder Code: A

Spindles:

Knobs: 3/8" (10mm),

1175K

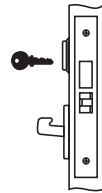
Levers: 3/8" (10mm),

1178L

Model Numbers		Throw	
Knobs	Levers	Latchbolt	Deadbolt
8822	8822FL	3/4"	1"
	SL8822FL	3/4"	1"

8823 STOREROOM LOCK

- Latchbolt retracted by knob/lever outside.
- Deadbolt operated by key outside.
- When deadbolt is projected, outside knob/lever is automatically locked.
- No inside knob/lever or cylinder.



†Cylinder Code: A

Spindles:

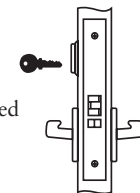
Knobs: 3/8" (10mm), F1198

Levers: 3/8" (10mm), F1198

Model Numbers		Throw	
Knobs	Levers	Latchbolt	Deadbolt
8823	8823FL	3/4"	1"
	SL8823FL	3/4"	1"

8824 CLASSROOM LOCK WITH HOLDBACK (F06)

- For classroom, office, or utility room doors.
- Latchbolt retracted by knob/lever either side, except when outside knob/lever is locked by key outside.
- Latchbolt and guardbolt can be held in retracted position by outside cylinder.
- Inside knob/lever always active.
- Deadlocking latchbolt.
- NOT UL listed.



†Cylinder Code: A

Spindles:

Knobs: 3/8" (10mm),

1175K

Levers: 3/8" (10mm),

1178L

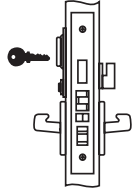
Model Numbers		Latchbolt Throw	
Knobs	Levers	Latchbolt Throw	
8824	8824FL	3/4"	



LOCKSET FUNCTIONS

8827 HOTEL/MOTEL LOCK

- Latchbolt retracted by knob/lever either side, except when outside knob/lever is independently locked by stopwork activator or automatically locked when the deadbolt is projected.
- Latchbolt retracted by master keys and change keys only when deadbolt is NOT projected.
- Deadbolt operated by emergency/shut-out or display key outside and thumbturn inside.
- When deadbolt is projected, the indicator button projects out (indicating room is occupied). Access from outside can be gained only with an emergency/shut-out or display key.
- Anti-panic operation. Operating inside knob/lever automatically retracts latchbolt and deadbolt with outside knob/lever remaining locked.
- Deadlocking latchbolt.

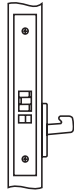


†Cylinder Code: E
Master key system must be 7-pin.
Spindles:
Knobs: 3/8" (10mm), 1175K
Levers: 3/8" (10mm), 1178L

Model Numbers		Throw	
Knobs	Levers	Latchbolt	Deadbolt
8827	8827FL	3/4"	1"
	SL8827FL	3/4"	1"

8828 EXIT LATCH (F31)

- For twin communicating or exit doors where one-sided operation is required.
- Latchbolt retracted by knob/lever inside at all times.
- No outside operations.
- Deadlocking latchbolt.



Spindles:
Knobs: 3/8" (10mm), F1198
Levers: 3/8" (10mm), F1198

Model Numbers		Latchbolt
Knobs	Levers	Throw
8828	8828FL	3/4"
	SL8828FL	3/4"

8829 CLOSET LOCK

- Latchbolt retracted by knob/lever outside.
- Outside cylinder locks or unlocks outside knob/lever.
- No inside knob/lever or cylinder.
- Deadlocking latchbolt.

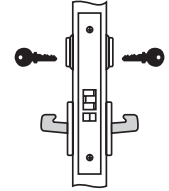


†Cylinder Code: A
Spindles:
Knobs: 3/8" (10mm), F1198
Levers: 3/8" (10mm), F1198

Model Numbers		Latchbolt
Knobs	Levers	Throw
8829	8829FL	3/4"
	SL8829FL	3/4"

8830-2 ASYLUM LOCK (F30)

- Latchbolt retracted by key both sides.
- Rigid knob/lever both sides for use as pulls only.
- Deadlocking latchbolt.

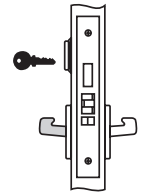


†Cylinder Code: B
Spindles:
Knobs: 3/8" (10mm), N1171-1/2
Levers: 3/8" (10mm), 1173L

Model Numbers		Throw	
Knobs	Levers	Latchbolt	Deadbolt
8830-2	8830-2FL	3/4"	1"
	SL8830-2FL	3/4"	1"

8831 DETENTION LOCK

- Latchbolt retracted by key outside, knob/lever inside.
- Latchbolt retracted by master keys and change keys only when deadbolt is NOT projected.
- Deadbolt operated by emergency (guards) key only outside.
- Inside knob/lever only opens door when deadbolt is in retracted position.
- Outside knob/lever rigid at all times.
- Deadlocking latchbolt.
- Trim mounted with fasteners outside.
- Furnished standard with TORX® security screws.

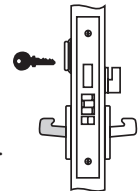


†Cylinder Code: E
Master key system must be 7-pin

Spindles: Knobs: 3/8" (10mm), 1175K Levers: SL trim only	Model Numbers		Throw	
	Knobs	Levers	Latchbolt	Deadbolt
	8831	SL8831FL	3/4"	1"

8832 HOTEL/MOTEL LOCK

- Latchbolt retracted by key outside, knob/lever inside.
- Latchbolt retracted by master keys and change keys only when deadbolt is NOT projected.
- Deadbolt operated by emergency/shut-out or display key only outside and thumbturn inside.
- Outside knob/lever rigid at all times.
- Anti-panic operation. Operating inside knob/lever retracts the latchbolt and deadbolt simultaneously.
- Deadlocking latchbolt.



†Cylinder Code: E
Spindles:
Knobs: 3/8" (10mm), 1175K
Levers: 3/8" (10mm), 1178L

Model Numbers		Throw	
Knobs	Levers	Latchbolt	Deadbolt
8832	8832FL	3/4"	1"
	SL8832FL	3/4"	1"

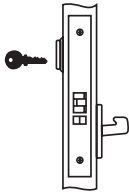
†Cylinder Code defines the cylinder supplied as standard for each lock and the optional cylinder available. See Page 26.



LOCKSET FUNCTIONS

8833 EXIT LOCK

- Latchbolt retracted by key outside, knob/lever inside.
- No knob/lever outside.
- Deadlocking latchbolt.

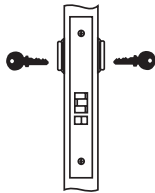


†Cylinder Code: A
 Spindles:
 Knobs: 3/8" (10mm), F1198
 Levers: 3/8" (10mm), F1198

Model Numbers		Latchbolt Throw
Knobs	Levers	
8833	8833FL	3/4"

8833-2 ALL-PURPOSE LOCK

- Latchbolt retracted by key both sides.
- No knob/lever either side.
- Deadlocking latchbolt.

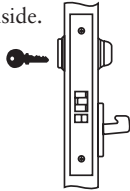


†Cylinder Code: B

Model Numbers	Latchbolt Throw
8833-2	3/4"

8834 ALL PURPOSE LOCK

- Latchbolt retracted by key outside, knob/lever inside.
- No knob/lever outside.
- Latchbolt and guardbolt can be held in retracted position by inside thumbturn cylinder.
- Deadlocking latchbolt.
- NOT UL listed.

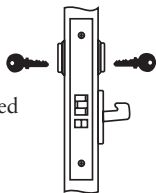


†Cylinder Code: D
 Spindles:
 Knobs: 3/8" (10mm), F1198
 Levers: 3/8" (10mm), F1198

Model Numbers		Latchbolt Throw
Knobs	Levers	
8834	8834FL	3/4"

8834-2 ALL PURPOSE LOCK

- For classroom, office, or utility room doors.
- Latchbolt retracted by key outside, knob/lever inside.
- No knob/lever outside.
- Latchbolt and guardbolt can be held in retracted position by inside cylinder.
- Deadlocking latchbolt.
- NOT UL listed.



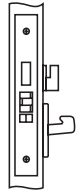
†Cylinder Code: C
 Spindles:
 Knobs: 3/8" (10mm), F1198
 Levers: 3/8" (10mm), F1198

Model Numbers		Latchbolt Throw
Knobs	Levers	
8834-2	8834-2FL	3/4"

†Cylinder Code defines the cylinder supplied as standard for each lock and the optional cylinder available. See Page 26.

8835 EXIT LOCK

- Latchbolt retracted by knob/lever inside.
- Deadbolt operated by thumbturn inside.
- No outside operations.
- Anti-panic operation. Operating inside knob/lever retracts the latchbolt and deadbolt simultaneously.
- Deadlocking latchbolt.

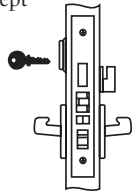


Spindles:
 Knobs: 3/8" (10mm), F1198
 Levers: 3/8" (10mm), F1198

Model Numbers		Throw	
Knobs	Levers	Latchbolt	Deadbolt
8835	8835FL	3/4"	1"
	SL8835FL	3/4"	1"

8847 ENTRANCE OR APARTMENT DOOR LOCK (F20)

- Latchbolt retracted by knob/lever either side, except when outside knob/lever is locked by stopwork activator.
- Deadbolt operated by key outside, thumbturn inside.
- When outside knob/lever is locked, latchbolt and deadbolt are operated by key outside.
- When deadbolt is projected, outside knob/lever is automatically locked.
- Anti-panic operation. Operating inside knob/lever automatically retracts latchbolt and deadbolt with outside knob/lever remaining locked.
- Deadlocking latchbolt.

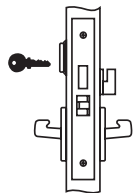


†Cylinder Code: A
 Spindles:
 Knobs: 3/8" (10mm), 1175K
 Levers: 3/8" (10mm), 1178L

Model Numbers		Throw	
Knobs	Levers	Latchbolt	Deadbolt
8847	8847FL	3/4"	1"
	SL8847FL	3/4"	1"

8860 ENTRANCE OR STOREROOM LOCK (F21)

- Latchbolt retracted by knob/lever either side.
- Deadbolt operated by key outside, thumbturn inside.



†Cylinder Code: A
 Spindles:
 Knobs: 3/8" (10mm), N1171-1/2
 Levers: 3/8" (10mm), 1173L

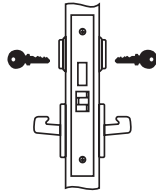
Model Numbers		Throw	
Knobs	Levers	Latchbolt	Deadbolt
8860	8860FL	3/4"	1"
	SL8860FL	3/4"	1"



LOCKSET FUNCTIONS

8860-2 ENTRANCE OR STOREROOM LOCK (F14)

- Latchbolt retracted by knob/lever either side.
- Deadbolt operated by key both sides.

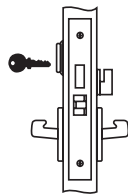


†Cylinder Code: B
 Spindles:
 Knobs: 3/8" (10mm), N1171-1/2
 Levers: 3/8" (10mm), 1173L

Model Numbers		Throw	
Knobs	Levers	Latchbolt	Deadbolt
8860-2	8860-2FL	3/4"	1"
	SL8860-2FL	3/4"	1"

8861 DORMITORY OR STOREROOM LOCK

- Latchbolt retracted by knob/lever either side.
- Deadbolt operated by key outside, thumbturn inside.
- When deadbolt is projected, outside knob/lever is automatically locked.

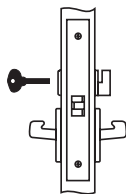


†Cylinder Code: A
 Spindles:
 Knobs: 3/8" (10mm), 1175K
 Levers: 3/8" (10mm), 1178L

Model Numbers		Throw	
Knobs	Levers	Latchbolt	Deadbolt
8861	8861FL	3/4"	1"
	SL8861FL	3/4"	1"

8862 BATHROOM LOCK (F22)

- Latchbolt retracted by knob/lever either side except when outside knob/lever is locked by thumbturn.
- Operating inside knob/lever retracts the latchbolt, automatically unlocking outside knob/lever.
- Outside emergency release unlocks outside knob/lever.
- Automatically unlocks when door latches.

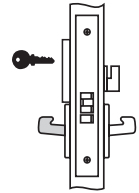


Spindles:
 Knobs: 3/8" (10mm), 1175K
 Levers: 3/8" (10mm), 1178L

Model Numbers		Throw	
Knobs	Levers	Latchbolt	Deadbolt
8862	8862FL	3/4"	1"
	SL8862FL	3/4"	1"

8864 BATHROOM LOCK WITH INDICATOR

- Latchbolt retracted by key outside, knob/lever inside.
- Occupancy indicator operated by thumbturn inside, key outside.
- When occupancy indicator shows OCC, key outside WILL operated occupancy indicator and retract latchbolt.
- Outside knob/lever rigid at all times.
- Inside knob/lever always active.
- Deadlocking latchbolt.

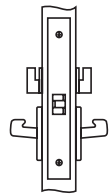


†Cylinder Code: A
 Spindles:
 Knobs: 3/8" (10mm), 1175K
 Levers: 3/8" (10mm), 1178L

Model Numbers		Latchbolt Throw
Knobs	Levers	
8864	8864FL	3/4"

8865 BATHROOM LOCK

- Latchbolt retracted by knob/lever either side except when outside knob/lever is locked by thumbturn either side.
- Outside thumbturn unlocks outside knob/lever.
- Automatically unlocks when door latches.
- Operating inside knob/lever retracts the latchbolt, automatically unlocking outside knob/lever.

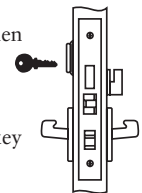


Spindles:
 Knobs: 3/8" (10mm), 1175K
 Levers: 3/8" (10mm), 1178L

Model Numbers		Latchbolt Throw
Knobs	Levers	
8865	8865FL	3/4"
	SL8865FL	3/4"

8867 ENTRANCE OR APARTMENT DOOR LOCK (F12)

- Latchbolt retracted by knob/lever either side, except when outside knob/lever is locked by stopwork activator or automatically locked when deadbolt is projected.
- Deadbolt operated by key outside, thumbturn inside.
- When outside knob/lever is locked, operating key outside retracts both latchbolt and deadbolt.
- Anti-panic operation. Operating inside knob/lever retracts the latchbolt and deadbolt simultaneously, with outside knob/lever remaining locked.



†Cylinder Code: A
 Spindles:
 Knobs: 3/8" (10mm), 1175K
 Levers: 3/8" (10mm), 1178L

Model Numbers		Throw	
Knobs	Levers	Latchbolt	Deadbolt
8867	8867FL	3/4"	1"
	SL8867FL	3/4"	1"

†Cylinder Code defines the cylinder supplied as standard for each lock and the optional cylinder available. See Page 26.

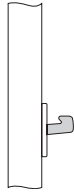


LOCKSET FUNCTIONS

DUMMY TRIM ONE SIDE

- Push or pull only.
- Knob/lever one side.
- Knob/lever non-operational and rigid at all times.
- Available in all sectional and escutcheon trim.

Model Number: 855 prefixed by design symbol (i.e. COR855 or CRE855)

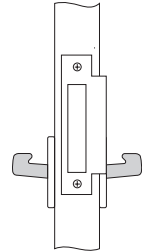


DUMMY TRIM BOTH SIDES

- Push or pull only.
- Knob/lever both sides of inactive leaf of a pair of doors.
- Both knob/lever non-operational and rigid at all times.
- Available in all sectional and escutcheon trim.

Spindles:

Knobs: 3/8" (10mm), N1171-1/2
Levers: 3/8" (10mm), 1173L



Model Numbers:

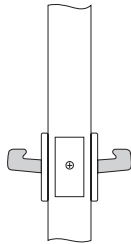
Knobs: 836B prefixed by design symbol (i.e. BRR836B, LFE836B)
Levers: 838B prefixed by design symbol (i.e. JNR838B, JNE838B)

DUMMY TRIM BOTH SIDES

- Push and pull only.
- Knob/lever both sides.
- Both knob/lever non-operational and rigid at all times.
- Plain rectangular front used with spindle-bar stabilizer.
- Available in all sectional and escutcheon trim.

Model Numbers:

Knobs: 836A prefixed by design symbol (i.e. LFR836A, COE836A)
Levers: 838A prefixed by design symbol (i.e. JNR838A, JNE838A)



ACTIVE DUMMY TRIM

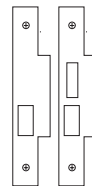
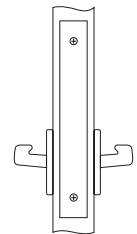
- Knob/lever both sides.
- Push or pull only.
- Primarily for lever handle trim.
- Knob/lever active to prevent damage.

Spindles:

Knobs: 3/8" (10mm), N1171-1/2
Levers: 3/8" (10mm), 1173L

8871DT – Armor front acts as strike for latchbolt only functions.

8872DT – Armor front acts as strike for latchbolt x deadbolt functions.



Model Numbers		
Knobs	Levers	Armor Front
8870DT	8870FLDT	Plain
8871DT	8871FLDT	Latchbolt Hole
8872DT	8872FLDT	Latchbolt/Deadbolt Hole

Handing must be specified when ordering.



SECUREX™ ELECTRIFIED MORTISE LOCKSET

APPLICATIONS

Stair tower doors, office doors, classrooms, interlocks, elevator lobby doors, laboratories, computer rooms, cashier stations, hospital equipment rooms and pharmaceutical storage rooms. For narrow frame profiles, consult factory.

TRIM DESIGNS

8800 electrified mortise locksets are available with all knob, lever, SL and designer trims.

ELECTRICAL SPECIFICATIONS

Fail Safe/Fail Secure
 612 mA @ 12 VAC/VDC
 330 mA @ 24 VAC/VDC
 REX = 4 Amp @ 250 VAC
 LBM = 4 Amp @ 250 VAC
 DBM = 4 Amp @ 250 VAC



8890



8896

MONITORING OPTIONS

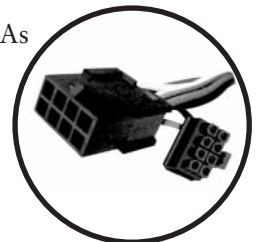
Model Number	Description
REX	Request to Exit - An SPDT switch that monitors activation of the free lever (not available with knob trim). REX is available for all mechanical and electrified functions and can be supplied alone or with either LBM or DBM.
LBM	Latchbolt Monitor - An SPDT switch that monitors full retraction of the main latch. LBM is available for all mechanical and electrified functions without a deadbolt and can be supplied alone or with REX.
DBM	Deadbolt Monitor - An SPDT switch that monitors full extension or retraction of the deadbolt. DBM is available for all mechanical and electrified functions with a deadbolt and can be supplied alone or with REX. DBM can not be used with LBM.

ELECTROLYNX®



Yale® electrified 8800 locks are equipped with *ElectroLynx* connectors. As a standard feature, these connectors link power from the incoming source to electrified locking products, including hinges, locks, exit devices, magnetic holders and strikes.

Note: Electrified door hardware with *ElectroLynx* connectors require a compatible number of lead wires attached to the door hinge.





SECUREX™ FUNCTIONS

Fail Safe

The following functions are locked when power is on and unlocked when power is off.

Fail Secure

The following functions are unlocked when power is on and locked when power is off.

Function	Description	Number of Cylinders	Function	Description	Number of Cylinders
8880	<ul style="list-style-type: none"> Power off – outside lever active Power on – outside lever locked Auxiliary latch deadlocks latchbolt Inside lever always free No key override 	0	8881	<ul style="list-style-type: none"> Power off – outside lever locked Power on – outside lever active Auxiliary latch deadlocks latchbolt Inside lever always free No key override 	0
8884	<ul style="list-style-type: none"> Power off – both levers active Power on – both levers locked Auxiliary latch deadlocks latchbolt No key override 	0	8885	<ul style="list-style-type: none"> Power off – both levers locked Power on – both levers active Auxiliary latch deadlocks latchbolt No key override 	0
8890	<ul style="list-style-type: none"> Power off – outside lever active Power on – outside lever locked Auxiliary latch deadlocks latchbolt Inside lever always free Mechanical key override by outside when locked 	1	8891	<ul style="list-style-type: none"> Power off – outside lever locked Power on – outside lever active Auxiliary latch deadlocks latchbolt Inside lever always free Mechanical key override by outside when locked 	1
8894-2	<ul style="list-style-type: none"> Power off – both levers active Power on – both levers locked Auxiliary latch deadlocks latchbolt Mechanical key override by both sides when locked 	2	8895-2	<ul style="list-style-type: none"> Power off – both levers locked Power on – both levers active Auxiliary latch deadlocks latchbolt Mechanical key override by both sides when locked 	2
8896	<ul style="list-style-type: none"> Power off – outside lever active (even when deadbolt thrown) Power on – outside lever locked Auxiliary latch deadlocks latchbolt Deadbolt projected by key outside, thumbturn inside Inside lever always free Mechanical key override by outside when locked 	1	8897	<ul style="list-style-type: none"> Power off – outside lever locked Power on – outside lever active (even when deadbolt thrown) Auxiliary latch deadlocks latchbolt Deadbolt projected by key outside, thumbturn inside Inside lever always free Mechanical key override by outside when locked 	1
8896-2	<ul style="list-style-type: none"> Power off – outside lever active (even when deadbolt thrown) Power on – outside lever locked Auxiliary latch deadlocks latchbolt Deadbolt projected by key both sides Inside lever always free Mechanical key override by both sides when locked 	2	8897-2	<ul style="list-style-type: none"> Power off – outside lever locked Power on – outside lever active (even when deadbolt thrown) Auxiliary latch deadlocks latchbolt Deadbolt projected by key both sides Inside lever always free Mechanical key override by both sides when locked 	2
8898	<ul style="list-style-type: none"> Power off – both levers active (even when deadbolt thrown) Power on – both levers locked Auxiliary latch deadlocks latchbolt Deadbolt projected by key outside, thumbturn inside Mechanical key override by outside when locked 	1	8899	<ul style="list-style-type: none"> Power off – both levers locked Power on – both levers active (even when deadbolt thrown) Auxiliary latch deadlocks latchbolt Deadbolt projected by key outside, thumbturn inside Mechanical key override by outside when locked 	1
8898-2	<ul style="list-style-type: none"> Power off – both levers active (even when deadbolt thrown) Power on – both levers locked Auxiliary latch deadlocks latchbolt Deadbolt projected by key both sides Mechanical key override by both sides when locked 	2	8899-2	<ul style="list-style-type: none"> Power off – both levers locked Power on – both levers active (even when deadbolt thrown) Auxiliary latch deadlocks latchbolt Deadbolt projected by key both sides Mechanical key override by both sides when locked 	2



EBOSS®

APPLICATIONS

The *eBoss* electronic keypad lockset is designed to provide the industrial, commercial, residential and hospitality marketplace with a reliable and moderately priced keyless entry with mechanical key override in interior and exterior environments.

TRIM DESIGNS

eBoss mortise locksets are available with Augusta (AU), Monroe (MO) and Pacific Beach (PB) lever designs.

FEATURES

- Windstorm certified (refer to local codes)
- Battery-operated (hard wire option available)
- 94 user capacity
- Heavy-duty all metal escutcheon for vandal resistance
- Stainless steel pushbuttons
- LED function indicators
- Weather resistant, ADA compliant 12-button keypad
- Patent pending modular design for simple installation
- Audible pushbutton
- Patented (Patent No. 7,091,429) keypad blinders
- Request to enter input
- Master, Emergency, Supervisor, Lockout and Passage Codes
- Two-tier low battery indicator
- Deadbolt retracted only by use of Emergency and Supervisor codes
- 3 year limited warranty



FINISHES

ANSI/BHMA Code	Finish Description
605e	Bright Brass, PVD
606e	Satin Brass, PVD
609	Satin Brass, Blackened, Satin Relieved, Clear Coated
612	Satin Bronze, Clear Coated
613e	Dark Oxidized Satin Bronze, PVD
616	Satin Bronze, Blackened, Satin Relieved, Clear Coated
619	Satin Nickel Plated, Clear Coated
625	Bright Chrome Plated
626	Satin Chrome Plated
693	Black Painted

FUNCTIONS

Model Number	Function Description
E8850FL	No Cylinder Override
E8851FL	Single Cylinder Override
E8852FL	No Cylinder Override with Deadbolt
E8853FL	Single Cylinder Override with Deadbolt



SECUREX™ ACCESSORIES

BPS POWER SUPPLIES BY SECURITRON®

Operation

Power supplies are designed to provide reliable filtered and regulated power for long life to a variety of electrified hardware components.

Product Features

- Individual output circuit breakers
- Regulated and filtered fuse protected outputs
- LEDs monitor zone status (voltage or no voltage)
- Slide switches connect or disconnect load from power (Not available on 1 Amp supplies)
- Internal Back-Up battery charging circuit
- Rugged steel enclosure
- Fire alarm interface

Listings

- UL CLASS 2

Applications (use with):

- Fail Safe mortise locks
- Fail Secure mortise locks

Ordering

Ex: BPS-24-4, BPS-12-3

Model	Input	Output	Application
BPS-24-1	120 VAC	1 Amp @ 24 VDC	2-8800
BPS-24-2	120 VAC	2 Amp @ 24 VDC	5-8800
BPS-24-4	120 VAC	4 Amp @ 24 VDC	11-8800
BPS-12-1	120 VAC	1 Amp @ 12 VDC	1-8800
BPS-12-3	120 VAC	2 Amp @ 12 VDC	3-8800

Consult factory for additional power supply applications.



SECUREX™ ACCESSORIES

EPT & EPTL ELECTRICAL POWER TRANSFER BY SECURITRON®

The electric power transfer is concealed in the door and frame edges, maintaining aesthetics and security. A unique advantage is that the EPT/EPTL accepts interior wire cables up to .25" (6mm) thick and protects the wires with a flexible steel shield. Suitable for applications where a relatively large current is required, and works with doors hung with butt hinges, continuous hinges and pivots.

Note: It will not function on a center pivot door due to the large gap between the door and frame edges when the door is open.

To order, specify:

EPT: Concealed Transfer for up to 120° swing doors

EPTL: Concealed Transfer for over 120° swing doors



EPTL



EPT

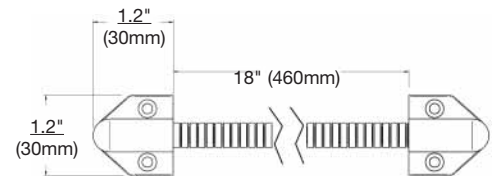


TSB-C DOOR CORD BY SECURITRON®

The door cord is the simplest and most economical solution for power transfer. This unit consists of an 18" (460mm) armored stainless steel cable and plastic end pieces in light gray and black. The cable has an interior diameter of .25" (6mm) and supports interior wire cables up to .2" (5mm) thick.

To order, specify:

TSB-C: 18" Door cord with gray/black caps



HEAVY-DUTY PUSH BUTTON SWITCHES - 5, 6 AND 10 AMP BY SECURITRON®

PB Series Push Buttons

- Mounted on brushed stainless steel plates
- Includes exit prompt
- Momentary or alternate action
- Illuminated options

Model	Description
PB2	Push Button 2" Square Mom. Single Gang Illum - SPDT
PB3	Push Button 3/4" Rectangle Mom. Single Gang Illum - DPST
PB3ER	Push Button Remote Mom. Surface Mount - DPST
PB3EA	Push Button 3/4" Rectangle Alt. Single Gang - DPST



PB2



PB3



PB3ER



SECUREX™ ACCESSORIES

MK SERIES KEY SWITCHES BY SECURITRON®

Model	Switch Description
MKA	Alternate Action SPDT
MKA2	Alternate Action DPDT
MK	Momentary SPDT
MK2	Momentary DPDT
MKAN	Alternate Action Narrow Stile SPDT
MKN	Momentary Narrow Stile SPDT



Key switch Features

- Standard 12/24 VDC bicolor LED (Red/Green)
- 5 AMP rated SPDT plunger switch
- Accepts 1-1/4" or 1-1/8" mortise cylinder (not included)
- UL Listed

Note: Detailed information is available on all of the products listed above through the Securitron® catalog. Key switches require a straight cam, cam #1161. Ordering example: 1152 - 1-1/8 - 1161

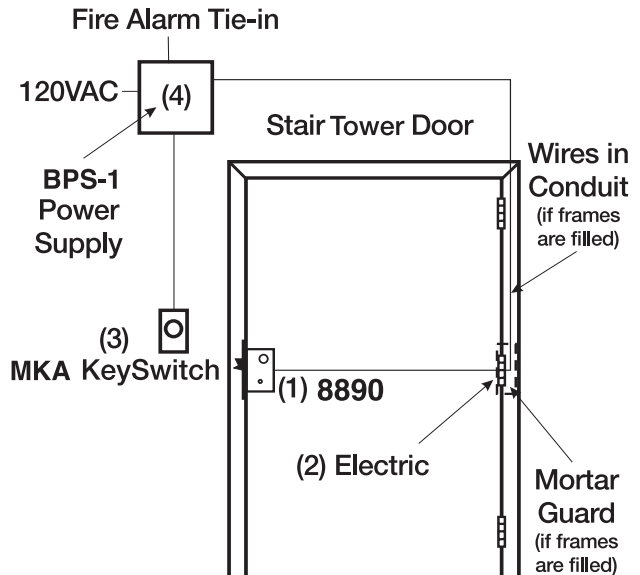
ZLP-1 LED MONITORS BY SECURITRON®

Narrow stile Zone Light Panels provide visual status of the lockset. LED's are red and the face plate is made of stainless steel.



To order, specify:
ZLP-1: Narrow stile

TYPICAL INSTALLATION



DK-11 DIGITAL ENTRY SYSTEMS BY SECURITRON®

DK-11 (Indoor Use)

Product Features:

- 4 Individual User Codes
- 12 button keypad (10 digits plus "*" and "#")
- Single gang, stainless steel plate with plastic backbox
- 5 Amp SPDT timed, control relay output
- Two LEDs are standard (Red/Green)



Current Draw and Voltage:

- 70mA @ 12 or 24VDC

Wiring diagrams are available for complete turn-key packages involving electrified hardware and components.



CYLINDERS

CYLINDER CODE

Each Yale® Mortise Lockset Function Model Number carries a Cylinder Code Letter (see Lockset Functions, pages 13-19). This Code Letter defines the standard mortise cylinder supplied with the Lock Model Number and the optional cylinders available for use with the specific locking function as outlined in the accompanying chart. For details of cylinders, see the listing for each type.

Cylinder length and cylinder ring size are determined by door thickness and trim design.

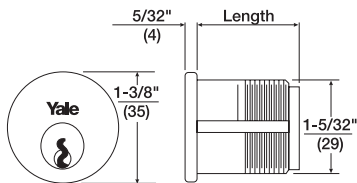
CYLINDER OPTIONS

Conventional Cylinders:

2153/2153S: 1" (25mm) to 1-3/4" (44mm) lengths in 1/8" (3mm) increments.

2123/2123S: 1-7/8" (48mm) to 3-1/2" (89mm) lengths in 1/8" (3mm) increments.

2719 Hotel Cylinder: 1-3/8" (35mm) only.

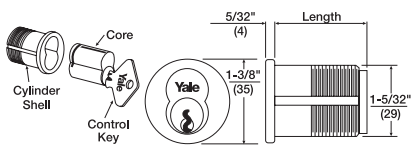


Interchangeable Core Cylinders:

2196/2196S: 6-pin, 1-1/2" (38mm) length only.

2197/2197S: 7-pin, 1-11/16" (43mm) length only.

2196H Hotel Cylinder: 1-11/16" (43mm) length only.



CYLINDER SELECTION GUIDE

Cylinder Code Letter	Standard Cylinder(s)	Adjustable Head†	Interchangeable Core Std.	Security/ High Security	Interchangeable Core Security
A	2153/2123	2186	2196 2197	5153/U5153	5196 5197
B	2153/2123 Both Sides	2186	2196 2197	5153/U5153	5196 5197
C	2153 Outside	2186	2196/2197	5153/U5153	5196/5197
	2153S Inside	2186S	2196S/2197S	5153S/U5153S	5196S/5197S
D	2153 Outside	2186	2196/2197	5153/U5153	5196/5197
	S2053S Inside	S2053S Inside	S2053S Inside	S2053S Inside	S2053S Inside
E*	2719	NA	2196H	5719/U5719	5196H

*Master key system must be 7-pin.

†Applicable to sectional trim only.

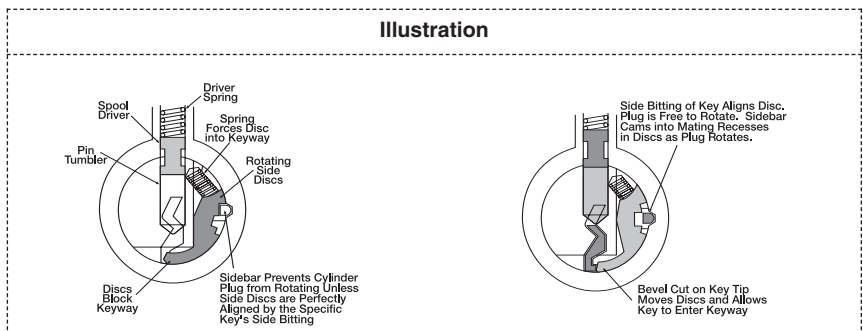
Yale® KeyMark® PATENTED KEYWAY CYLINDERS

For those applications requiring patented key control, Yale's KeyMark® line of patented keyway cylinders provides the ultimate protection against unauthorized key duplication. Yale KeyMark's utility-patented Security Leg® keyway features increased resistance against picking and impressing and can easily retrofit into existing systems. For further details and availability, refer to the separate Yale KeyMark catalog.

SECURITY CYLINDERS

Yale's Security Cylinder contains two independent locking mechanisms. The first is a traditional 6- or 7-pin tumbler mechanism with spool drivers for greatly increased picking resistance.

The second is an innovative 5-tumbler rotating disc mechanism with sidebar engagement. The rotating discs are spring loaded and block the bottom of the keyway.





CYLINDERS

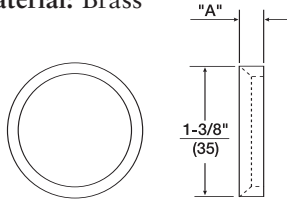
CYLINDER RINGS

Cylinder rings are supplied as standard where required with those locksets supplied with cylinders. Ring size and thickness are supplied to suit the length of the cylinder, the thickness of the door and the trim ordered. (If door thickness is not specified, rings will be furnished for 1-3/4" (44mm) door.)

1134 Tubular Cylinder Ring

"A" Dimension: Thicknesses from 1/16" (2mm) to 15/16" (24mm) as required.

Material: Brass



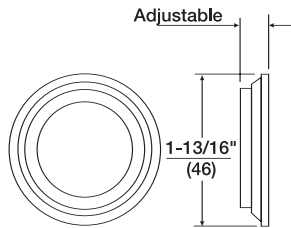
1135 Adjustable Cylinder Ring:

3/16" (5mm) Size: Adjusts from .22" (6mm) to .30" (8mm)

1/4" (6mm) Size: Adjusts from .26" (6mm) to .34" (9mm)

5/16" (8mm) Size: Adjusts from .30" (8mm) to .38" (1cm)

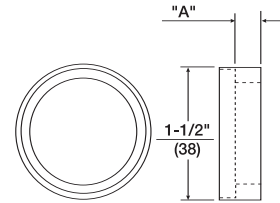
Material: Brass, Bronze



1765 Recessed Cylinder Ring

"A" Dimension: Thicknesses from 1/16" (2mm) to 1-15/32" (37mm) as required.

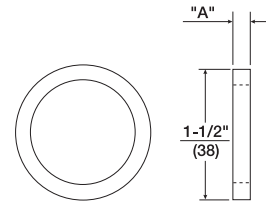
Material: Brass, Bronze



1767 Tubular Spacer Ring

"A" Dimension: 1/8" (3mm), 3/16" (5mm) and 5/16" (8mm)

Material: Brass, Bronze, Stainless Steel. (Used with 2186 and 2186S cylinders only.)



STRIKES

Yale® 8800 Mortise Lock Series are supplied standard with a 2815 Curved Lip Strike with a 1-1/4" (32mm) lip length. The strike supplied will accommodate the locking function, i.e. latchbolt and/or deadbolt, and can be installed on doors 1-3/4" (44mm) thick. These strikes are reversible.

Longer/Shorter Lip Lengths:

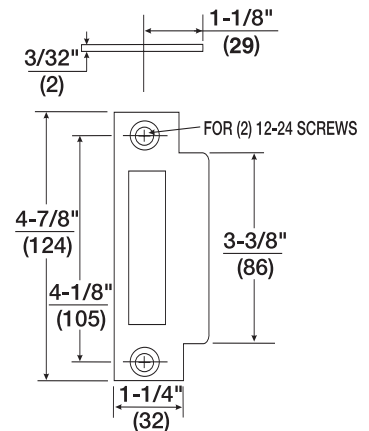
Mortise Lock Strikes are mounted 3/8" above the center line of the lock. To determine the proper length of lip use the following formula:

1/2 of the door thickness, plus 1/16" inset, plus trim thickness, plus 1/8" for flat lip strike OR 1/4" for curved lip strike. Select the nearest available length.

2815 Curved Lip: 1-1/4" (32mm) regular; to special order, 1-1/8" (29mm), 1-1/4" (32mm), 1-3/8" (35mm), 1-1/2" (38mm), 1-5/8" (41mm), 1-3/4" (44mm), 1-7/8" (48mm), 2" (51mm), 2-1/8" (54mm), 2-3/8" (60mm)

2816 Flat Lip: To special order, 7/8" (22mm), 1" (25mm), 1-1/8" (29mm), 1-1/4" (32mm), 1-1/2" (38mm), 1-3/4" (44mm), 2" (51mm), 2-1/4" (57mm), 2-1/2" (64mm)

Material: Brass, Bronze, Stainless Steel.

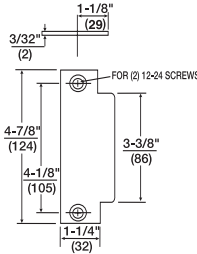




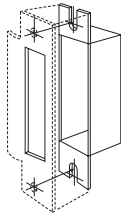
STRIKES/MISCELLANEOUS

OPTIONAL STRIKES

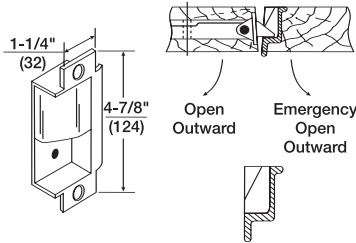
497B ANSI Blank Filler Plate:
 Reversible to replace a strike where a lock has been removed or where a frame with a strike preparation when no lock is installed on a door.
 Lip Lengths: 1-1/8" (29mm) only.
Material: Brass, Bronze, Stainless Steel.



202 Strike Box: Reversible for installation with all Flat or Curved Lip Strikes. Available to special order only.
Material: Wrought Steel, Zinc Plated, Dichromated.



718 Open Back Strike: Field handable for a standard V-beveled pair of doors with a latchbolt only function on the active door. This strike permits emergency opening of the inactive door without damaging the lock mechanism. Available for doors 1-3/4" or 2-1/4" thick only. Specify the door thickness required.
Material: Stainless Steel, Black Nylon Coated.



MISCELLANEOUS TRIM DESIGN

GF1824 Thumbturn and Round Plate
 Supplied as standard on all locks with round rose sectional trim or lock functions with no roses.

Thumbturn: Brass, Bronze, Stainless Steel.
Plate: 1-7/8" (48mm) Diameter, Brass, Bronze, Stainless Steel.

GF1826-Plate Only - Used for outside of 8802 Privacy Lock.



ATTACHING SCREWS

GF1824 and GF1826
 No. 6 x 3/8" (10mm) type "AB", Oval Phillips Head sheet metal screw, stainless steel plated to match trim (P/N 81-3173-0308). Specify finish required.

RABBETED DOOR KITS

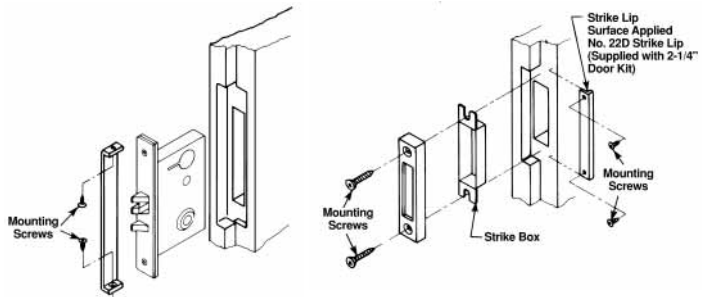
The Yale® 8800 Mortise Lock Series can be installed on a pair of doors with a standard 1/2" (13mm) step rabbet. Kits are available which adapt these locks to the rabbeted doors. These kits contain a 1/2" (13mm) standard step rabbet strip for the active door, a strike, a strike box, and, depending on the door thickness, a strike lip. They are available for doors 1-3/4" (44mm), 2" (51mm) and 2-1/4" (57mm) thick. All components of these kits are reversible.

To order a complete Yale Mortise Lock with a Rabbet Door Kit, suffix the Lock Model Number with a Rabbeted Door by door thickness, hand and finish required, i.e. LW8807 x Rabbeted Door x 1-3/4" x RH x 626.

Kits for rabbeted doors can be ordered by Model Number separately from the accompanying chart. When ordered separately, specify the finish required.

Door Thickness	Rabbeted Door Kit Model No.	Strike Model No.
1-3/4" 2"	RK245	22E
2-1/4"	RK246*	

* These kits contain the above components plus a No. 22D strike lip with attaching screws.



88FL CONVERSION KIT

The Yale 88FL Mortise Lock Retrofit Kit contains all internal components necessary to convert Yale 8800 Series steel case mechanical and electrified mortise locks from knob trim to lever trim. The kit provides an easy and inexpensive method of conversion to meet requirements of the Americans with Disabilities Act (A.D.A.) without replacing the entire lock.

The 88FL kit is UL approved and locks converted according to the instructions will maintain UL listing.
Note: Field conversion will void warranty.



OCCUPANCY INDICATORS

PRIVACY FUNCTION INDICATOR

This indicator can be ordered as an option with the 8802 (privacy) and 8862 (bathroom) functions. Available for all lever and knob sectional trim designs.

The privacy occupancy indicator can be ordered with locksets by specifying IND as an option or it can be ordered separately as a retrofit kit by specifying model number IND-K and required finish.

When specifying option IND, the lockset will be provided with an indicator that shows the room is either occupied (OCC) when deadbolt is thrown or vacant (VAC) when deadbolt is retracted.



Deadbolt Retracted
"Vacant"



Deadbolt Thrown
"Occupied"

CYLINDER FUNCTION INDICATOR

The cylinder indicator is standard with the 8864 (bathroom) function and can be ordered as an option with 8832 (hotel/motel), 8822 (dormitory) and 8818-2 (classroom security intruder) functions. Available for all lever and knob sectional trim designs.

The cylinder occupancy indicator can be ordered with locksets by specifying IND as an option or it can be ordered separately as a retrofit kit by specifying model number CIND-K and required finish. (CIND-K does not include the cylinder.)



Thumbturn Retracted
"Vacant"



Thumbturn Thrown
"Occupied"



HOW TO ORDER

ORDERING INFORMATION

From this outline select the Model Number for the Yale® 8800 Mortise Lockset Series you require.

Trim Design	Lock Series/ Function	*Cylinder	Hand	Door Thickness	Finish	Highest Keying Level	Supplementary Specifications/Options
AUE	8807FL	2153	RH	1-3/4"	626	GM	Lead Lined; knurled; abrasive coated; specific keying; keying; 7-pin cylinders' specific strike requirements other than standard, i.e. special lip length, curved, open back; special attachment or special-head screws, specify in detail; split finish, indicate outside finish first regardless of hand of door – but for RHR and LHR doors indicate finish desired for front and strike.
See Pages 6-12	See Pages 13-19	See Page 26	See Below	See Page 3	See Page 2	"Level One" - KA or KD "Level Two" - MK "Level Three" - GM "Level Four" - GGM	

*If other than standard cylinder is required, specify by Model Number.

HAND OF DOORS

The outside is the key side of an entrance door or the corridor side of a room door. The outside of a single communicating door is the side opposite the hinges. The outside of twin communicating doors is the space between the doors.



Left Hand: Hinges on left, opens inward. For handed locks, specify LH.



Left Hand Reverse: Hinges on left, opens outward. For handed locks, specify LHR.



Right Hand: Hinges on right, opens inward. For handed locks, specify RH.



Right Hand Reverse: Hinges on right, opens outward. For handed locks, specify RHR.




NOTES

online literature and templates

For the latest information on Yale Commercial Lock and Hardware products, visit our website at www.yalecommercial.com.

Click on the "Literature" button to find:

- Catalogs
- Parts manuals
- Templates
- Specifications
- Installation instructions

Yale® customers can click on the ebusiness symbol  on the website to register for an ebusiness account to:

- Check the status of orders
 - Check availability of Quick-Ship items
 - Track your order and confirm delivery
 - Receive email notification of template changes
- And More...

www.yalecommercial.com



Yale Commercial Locks and Hardware

Address: 100 Yale Avenue, Lenoir City, TN 37771-3226 USA

Tel: 1-800-438-1951 • Fax: 1-800-338-0965 • www.yalecommercial.com

ASSA ABLOY Door Security Solutions Canada

Address: 160 Four Valley Drive, Vaughan, Ontario L4K4T9 Canada

Tel: 1-800-461-3007 • www.assaabloycanadadss.ca

ASSA ABLOY NA International

www.aanai.com

Yale®, eBoss® and ElectroLynx® are registered trademarks of the respective ASSA ABLOY Group company. KeyMark® and KeyMark and Design® are registered trademarks of Medeco Security Locks, Inc. SecureX™ is a trademark of the respective ASSA ABLOY Group company. Other products' brand names may be trademarks or registered trademarks of their respective owners and are mentioned for reference purposes only. These materials are protected under U.S. copyright laws. All contents current at time of publication.

The ASSA ABLOY Group companies reserve the right to change availability of any item in this catalog, its design, construction, and/or its materials.

Copyright © 2004, 2006, ASSA ABLOY Group companies. All rights reserved.

ASSA ABLOY is the world's leading manufacturer and supplier of locking solutions,
meeting tough end-user demands for safety, security and user friendliness.

42002-11/06R