

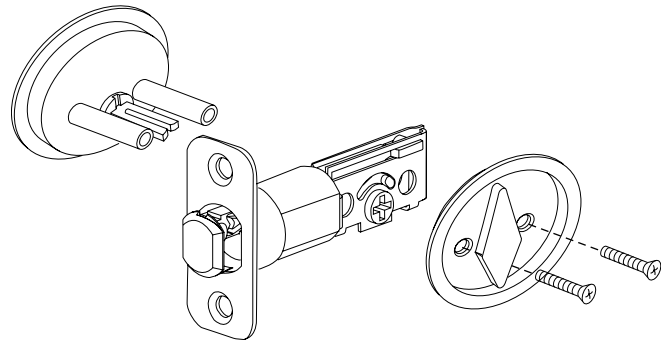
ROUND POCKET DOOR LOCK

Specifications



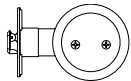
ROUND POCKET DOOR LOCK

Door Prep	2-1/8" Face Bore, 1" Edge Bore.
Backset	2-3/8".
Door Thickness	Adjustable for 1-3/8" or 1-3/4".
Faceplate	1" x 2-1/4" round corner, steel. Accommodates flat and beveled doors.
Strike	1-1/8" x 2-1/4" square corner with strike box and wood frame reinforcement, steel. Privacy function only.
Fasteners	Standard flat or Phillips screws. #8 x 1/2" for latch, #8 x 1/2" for strike.
Door Handing	Non-handed.

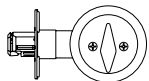


335 Privacy

FUNCTIONS

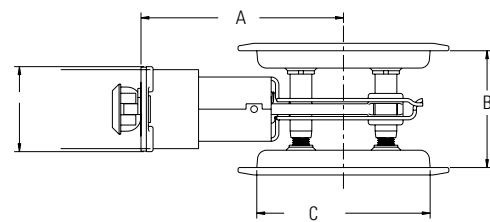


Passage: 334.



Privacy: 335

DIMENSIONS



Design	A	B	C
Passage	2-3/8"	1-3/8" or 1-3/4"	2-1/8"
Privacy	2-3/8"	1-3/8" or 1-3/4"	2-1/8"