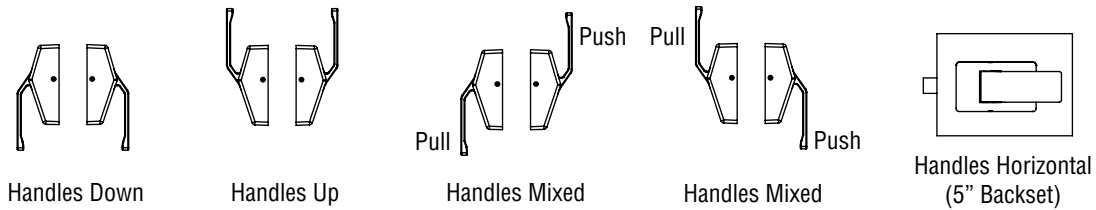


FOR USE ON 1-3/4" (45 mm) THICK DOORS

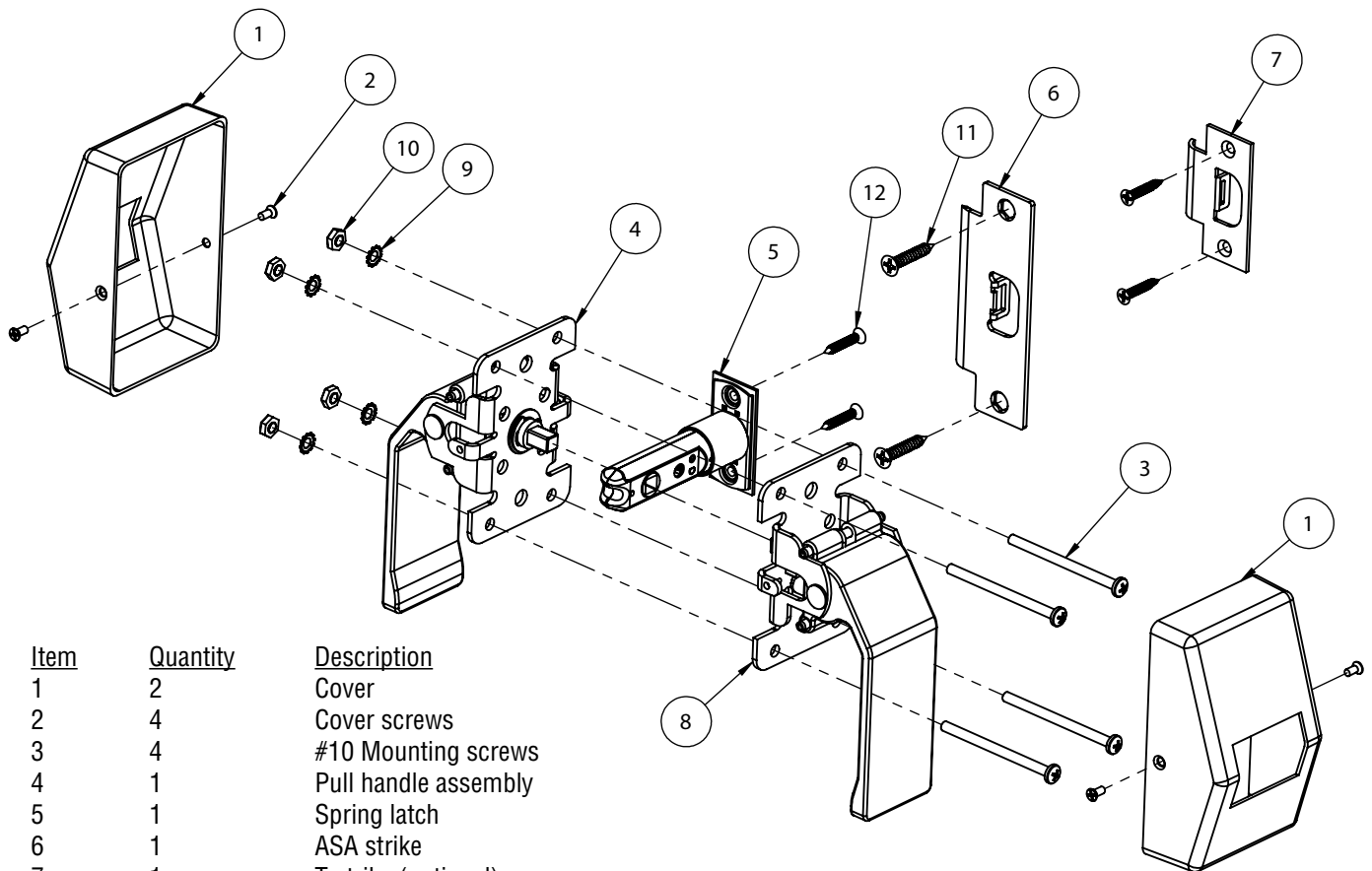
Tools required for new installation:

- | | | | |
|--------------------------------|-----------------------------|---------------------------|------------|
| (1) Adjustable wrench | (2) 2-1/8" (54 mm) hole saw | (1) 5/16" (8 mm) drillbit | (1) Pencil |
| (1) Phillips head screw driver | (1) 1" (25.4 mm) drill bit | (1) Chisel | |

MOUNTING STYLES



COMPONENTS



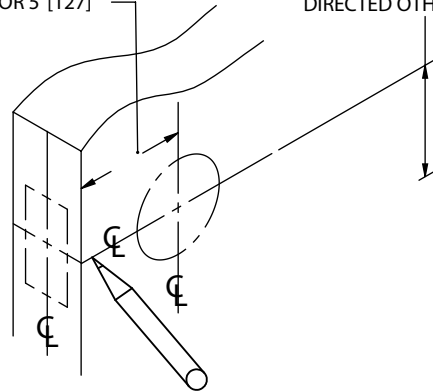
<u>Item</u>	<u>Quantity</u>	<u>Description</u>
1	2	Cover
2	4	Cover screws
3	4	#10 Mounting screws
4	1	Pull handle assembly
5	1	Spring latch
6	1	ASA strike
7	1	T-strike (optional)
8	1	Push handle assembly
9	4	Mounting washers
10	4	Mounting nuts
11	2	#12 mounting screws
12	4	#8 mounting screws

1. MARK CENTER LINES ON DOOR

A. Use a pencil to sketch the centerlines for the backset required. These sketch lines will be the guide for applying templates.

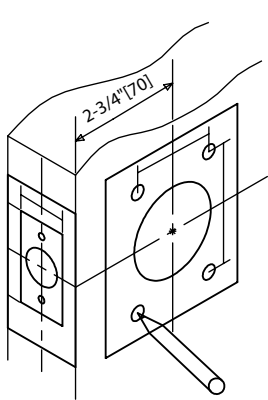
SKETCH CENTERLINES
 USING BACKSET:
 2-3/4"[70] OR 5"[127]

45-3/4" (116.2 cm) FROM
 FINISHED FLOOR UNLESS
 DIRECTED OTHERWISE

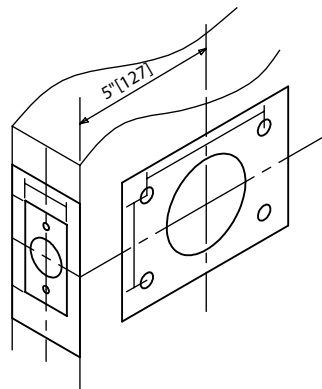


2. APPLY TEMPLATES & MARK HOLES

A. Tape template #1 to face of door and template #2 to edge of door. Line up template centerlines with the sketched centerlines on door.



Vertical Mounting



Horizontal Mounting

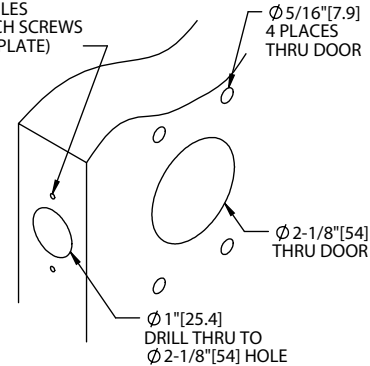
3. DRILL HOLES

PILOT HOLES
 FOR LATCH SCREWS
 (SEE TEMPLATE)

Ø 5/16"[7.9]
 4 PLACES
 THRU DOOR

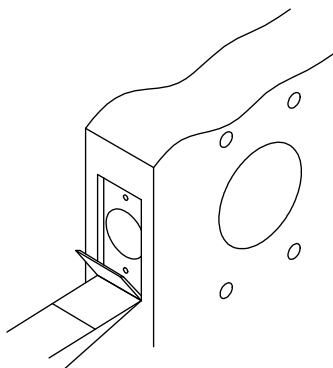
Ø 2-1/8"[54]
 THRU DOOR

Ø 1"[25.4]
 DRILL THRU TO
 Ø 2-1/8"[54] HOLE



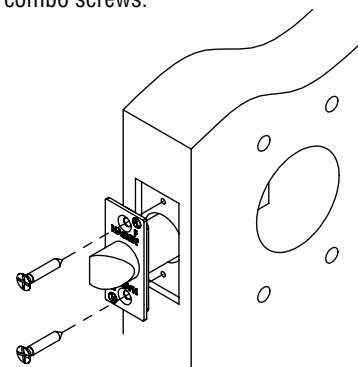
4. MORTISE LATCH

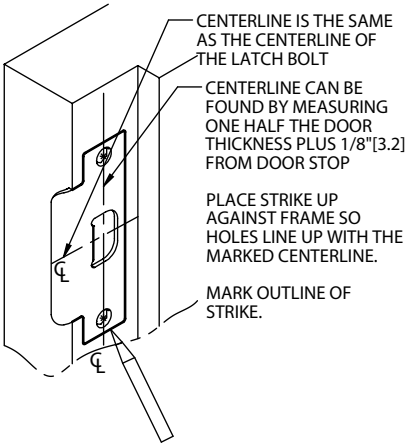
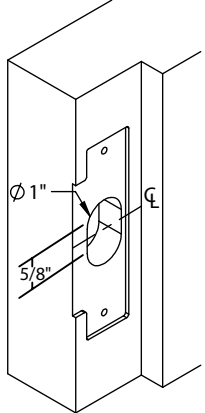
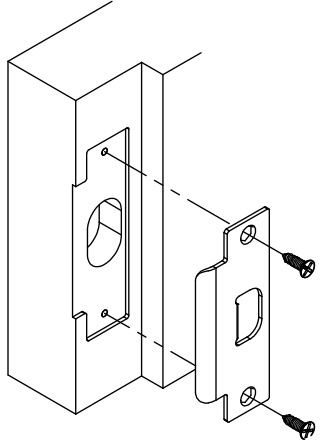
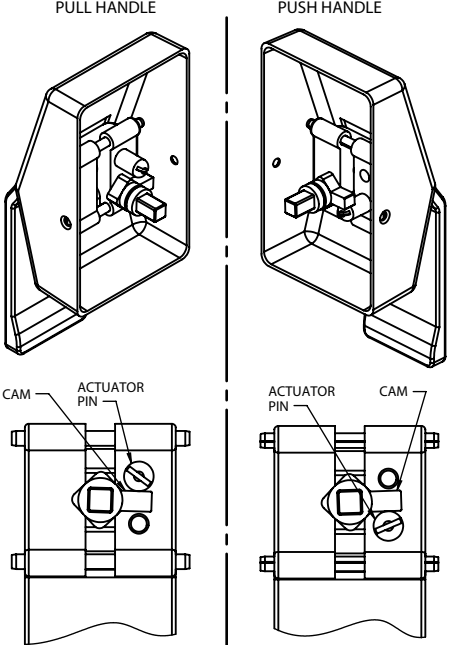
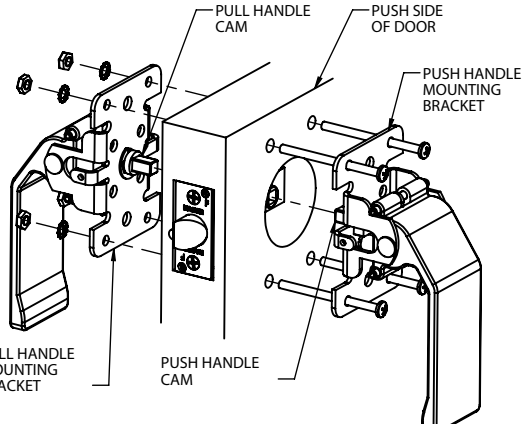
A. Chisel 5/32" [4] deep or until latch is flush with door edge.



5. INSTALL LATCH

A. Insert latch so bolt bevel faces direction of door closing. Tighten latch to door using (2) #8 x 3/4" combo screws.



<p>6. MARK OUTLINE OF STRIKE</p> <p>A. Mark location of holes as well as mortise area for latchbolt.</p>  <p>CENTERLINE IS THE SAME AS THE CENTERLINE OF THE LATCH BOLT</p> <p>CENTERLINE CAN BE FOUND BY MEASURING ONE HALF THE DOOR THICKNESS PLUS 1/8" [3.2] FROM DOOR STOP</p> <p>PLACE STRIKE UP AGAINST FRAME SO HOLES LINE UP WITH THE MARKED CENTERLINE.</p> <p>MARK OUTLINE OF STRIKE.</p>	<p>7. DRILL AND MORTISE FRAME FOR STRIKE</p>  <p>HOLE PREP: DRILL (2) \varnothing 5/32" [4] PILOT HOLES FOR #12 COMBO SCREWS.</p> <p>LATCHBOLT MORTISE PREP: DRILL (2) \varnothing 1" [25.4] HOLES 3/4" [19] DEEP IN DOOR JAMB 5/16" [7.9] ABOVE AND BELOW CENTERLINE. CHISEL AWAY EXCESS WOOD ON THE SIDES TO MAKE ROOM FOR LATCHBOLT.</p> <p>STRIKE MORTISE PREP: USE A CHISEL AND MORTISE 3/32" [2.4] DEEP SO STRIKE SITS FLUSH WITH FRAME.</p>	<p>8. INSTALL STRIKE</p> <p>A. Install strike using two #12 screws.</p> 
<p>9. POSITION CAMS</p> <p>A. Rotate the cam of each handle to look like the pictures shown below. This is critical for proper functioning of the latch.</p>  <p>PULL HANDLE PUSH HANDLE</p> <p>CAM ACTUATOR PIN</p> <p>ACTUATOR PIN CAM</p>	<p>10. INSTALL HANDLE ASSEMBLIES</p> <p>A. Install push handle assembly onto door by inserting cam shaft into square hole of spring latch.</p> <p>B. Insert four #10 screws through the push handle mounting bracket and corresponding drilled holes in door.</p> <p>C. Install push handle assembly on other side of door, mating the pull handle cam with the square hole in the latch.</p> <p>D. Insert #10 screws through pull handle mounting bracket.</p> <p>E. Install washers and nuts on all four screws (do not tighten down nuts at this time).</p> <p>F. Check that both handles will independently retract latchbolt.</p> <p>G. Use a wrench to tighten nuts down so that two assemblies are tight to door.</p>  <p>PULL HANDLE MOUNTING BRACKET PUSH HANDLE CAM</p> <p>PULL HANDLE CAM PUSH SIDE OF DOOR</p> <p>PUSH HANDLE MOUNTING BRACKET</p>	<p>11. INSTALL COVERS</p> <p>A. Install cover on pull handle assembly and line up cover holes with holes of mounting bracket. Tighten cover using screws provided.</p> <p>B. Repeat step A for push handle cover.</p> 