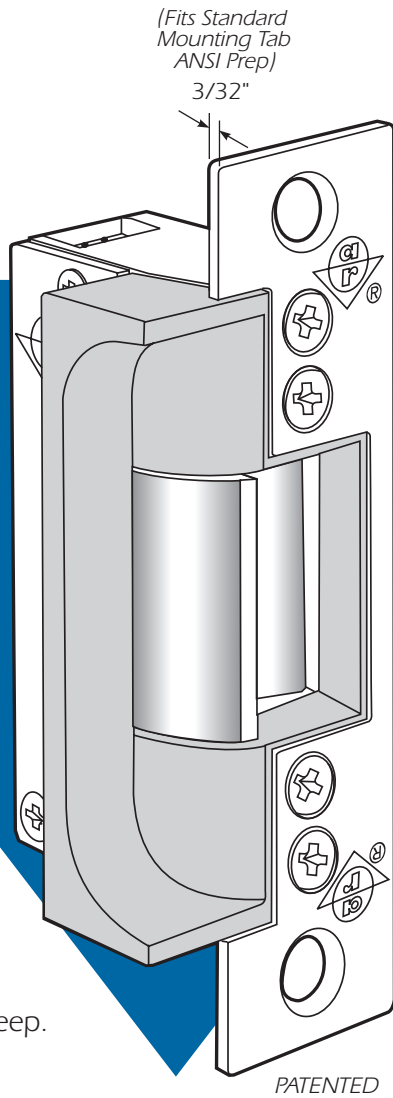


VOLTAGE		
Available in 12, 16 or 24 volt AC and DC. DC and AC Continuous units are silent, AC intermittent units "buzz" on operation.		
CURRENT DRAW/AMPS		
Volts	AC Int.	DC or AC Cont.
12	1.42	.33
16	1.03	.22
24	.74	.17

7170

ANSI/BHMA Type EO9321 (Grade 1) for Mortise Latches without Deadbolt By Others

Mounts in Wood or Hollow Steel Jambs



UL Listed for Burglary Resistance

Case

Approx. 1" x 3-3/8" x 1-7/8" deep. Made of Zinc-aluminum alloy.

Strike Lip

Basic 7170 strikes have lip of proper length for 1-3/4" thick door that closes flush with jamb edge. Where door thickness or jamb shape differs from this standard relationship, extended lip is available, specified by last dash number.

Function

Remote electrical control of any door equipped with one of the Mortise Type latchsets listed above. Electrical actuation unlocks strike jaw, releasing latchbolt so door can be opened without operating latch itself. Extremely compact mechanism fits hollow jamb sections as shallow as 1-7/8". Fits prep for 7560AN/7860AN and 7570/7870.

Strike Opening

5/8" x 1-7/16" x 5/8" deep. Bolt retainer jaw is made of stainless steel. **Strike accepts bolt of any of the following latchsets (or panic exit devices) when centered on strike:**

ALL 3/4" THROW LATCHES REQUIRE 1/8" OR MORE DOOR GAP.	
ARROW	861-1/2, 871-1/2
BEST	30H SERIES
BALDWIN	6000 SERIES
CORBIN	528, 0548, 9200, 9300, 9500, 9700
FALCON	M1000, M2000, M3000
LOCKWOOD	T500, F500, B5100, 5500
MONARCH	XXM, CVM, 11M
PRECISION	820, 830
RUSSWIN	2000, 3000, 5000, 7000, T-7000, 1454
SCHLAGE	"L" LATCHES
UNICAN	1000
VON DUPRIN	34, 58, 7500
YALE	62

Faceplate

Measures 1-1/4" x 4-7/8". Faceplate is flat, with square corners. Available in a wide range of architectural finishes.

Fail Safe/Fail Secure

Field convertible from one mode to the other. However, AC intermittent solenoid must not be used continuously in either.

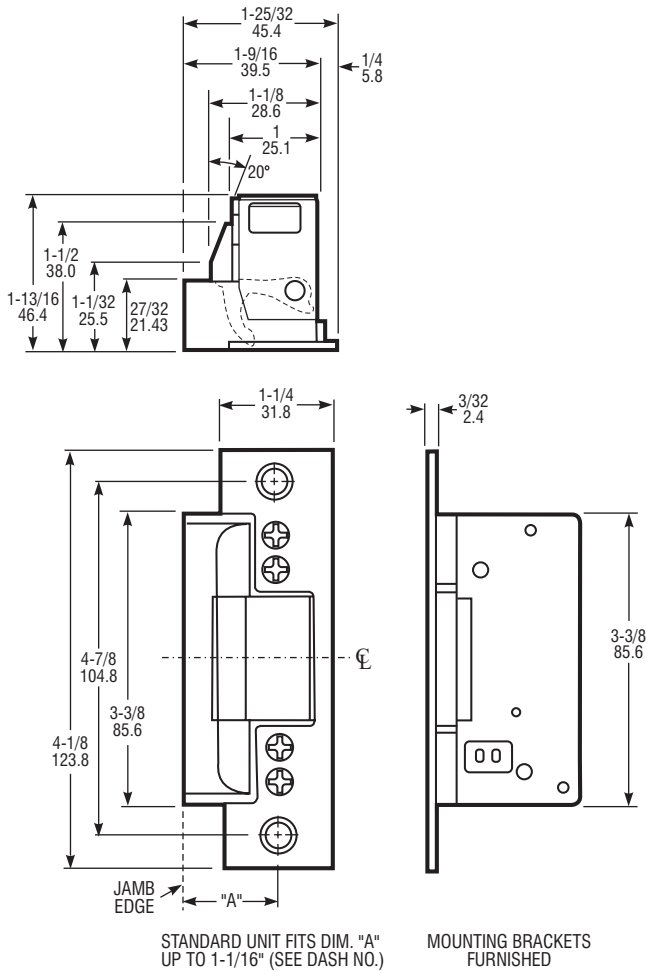


7170 Electric Strike

DIMENSIONS

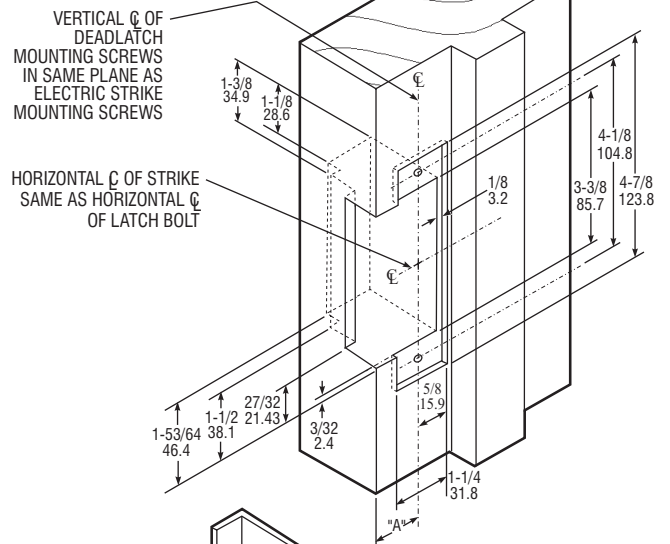
INCHES
MILLIMETERS

Nominal, subject to tolerance extremes.

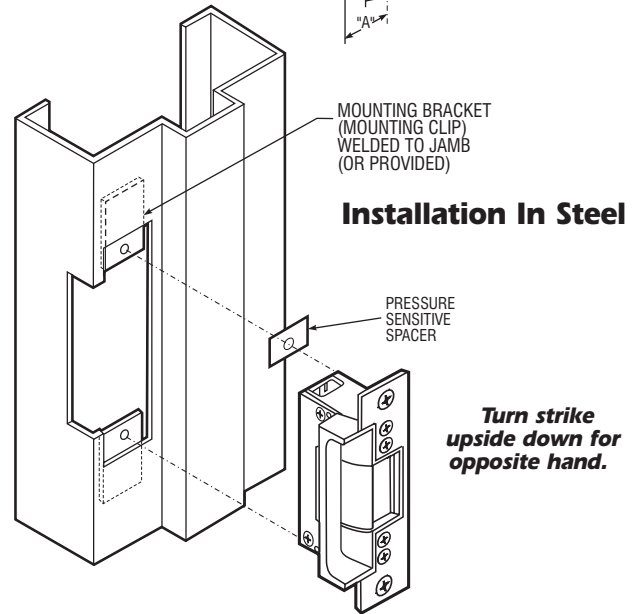


INSTALLATION

Jamb Prep In Wood



Installation In Steel



HOW TO ORDER

Specify quantity and the following information.
Order 4603 Rectifier and/or 4605 or 4606 Transformer separately.
(4603 included with AC Cont.)

Voltage
3 12 Volt
4 16 Volt
5 24 Volt

Current & Duty
1 DC Continuous or Intermittent
2 AC Continuous*
4 AC Intermittent

Features**
0 Std/Fail-Secure
5 Fail-Safe
7 Monitor/Fail-Safe
9 Monitor/Fail-Secure

7170 - 315 - 605 - 00

Finish
628 Clear Anodized
605 Bright Brass
612 Satin Bronze
613 Oil Bronze
313 Dark Bronze Anod.
335 Black Anodized
625 Bright Chrome
626 Satin Chrome

Lip Extension (Dim. "A")
(Door Centerline to Jamb Edge)
00 1.06" or less 07 2.25"
50 1.38" 08 2.38"
01 1.50" 09 2.50"
02 1.63" 10 2.63"
03 1.75" 11 2.75"
04 1.88" 12 2.88"
05 2.00" 13 3.00"
06 2.13"

*A DC strike with rectifier attached for use on AC current.

**Fail-secure can be field converted to fail-safe or vice-versa.

STANDARD PACKAGE

Individually boxed with mounting screws. Includes mounting brackets and adhesive shims for use where welded tabs are omitted.

OPTIONS

Available with two monitoring signal switches which sense whether latch bolt is in strike and whether strike jaw is blocked. Choice of voltage in AC and DC for intermittent or continuous duty. Available with extended strike lip (see chart). Specify assembled for either fail-secure (locked when unpowered) or fail-safe (locked when powered) operation, but can be field-converted to the other mode.

4603 Rectifier - Converts AC to DC, installs in low voltage line between transformer and strike. Rated 2 amps. (200 PIV).

4605 Transformer - Converts 120VAC to 24VAC. Rated 40 Volt-amp output assures plenty of power for strike release. Patented mounting bracket fits in knockout hole of standard junction boxes.

4606 Transformer - Plug-in version for standard wall outlet.

See separate specification sheet for more information on Strike options.