

Instructions



Nose Puller for Safe Deposit Boxes

No. NP-4B

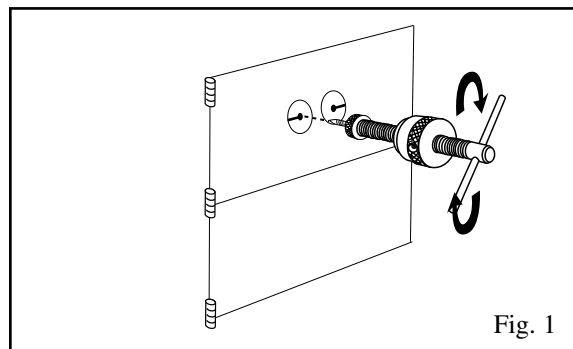
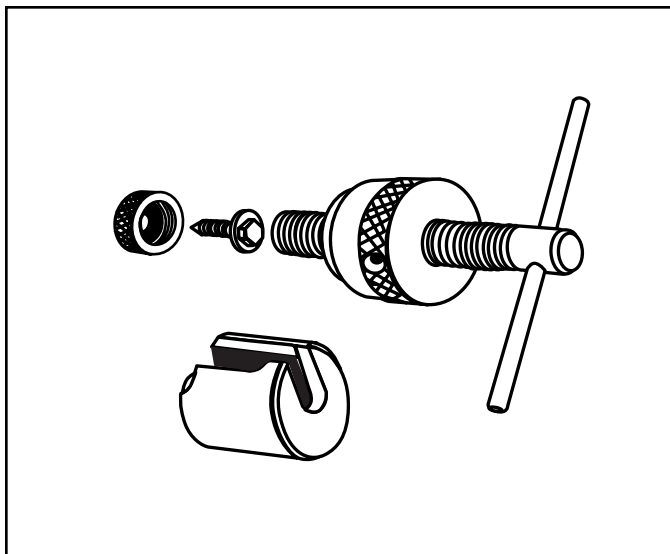


Fig. 1

1. This heavy wrought and bar steel set is expertly machined and finished to effectively pull out a lock core. Simply turn screw into the center of the core's keyway to act as an anchor. See Fig. 1.
2. Slip the spacer block into place and tighten by turning knurled knob. See Fig. 2.
3. Continue turning clockwise, slowly and gradually until the entire core is drawn out.

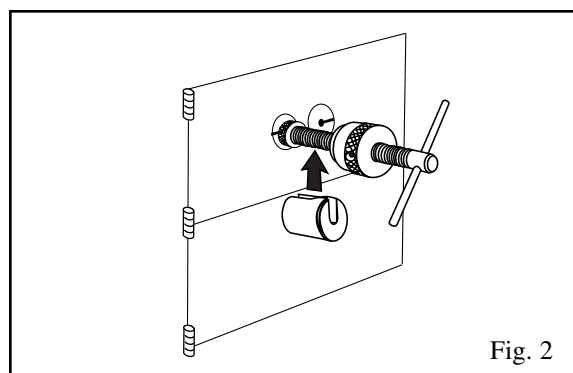


Fig. 2

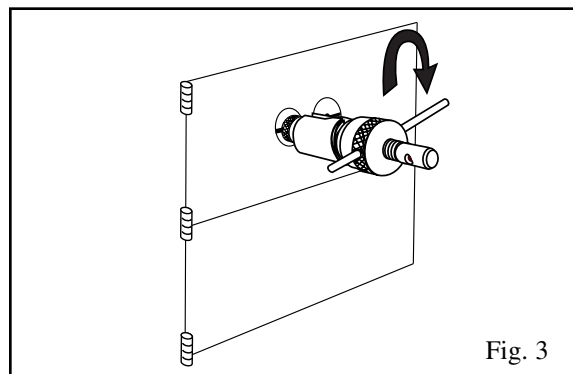


Fig. 3

050701 35T00-091-00

(continued)

Nose Puller NB-4B instructions (continued)



4. Use the guard key and disengage bolt. See Fig. 4. If door does not open, then it becomes necessary to use the Door Puller device No. DP-7B. The Nose Puller set is available separately. However, when ordering the No. DP-7B Door Puller set, the Nose Puller set No. NP-4B is included, along with a steel carrying case.
5. We have supplied one piece of leather for the NP-4B to be used between the bottom edge of the cup and the door or painted surface. Also, we are supplying one chrome washer for the NP-4B to rest against the bearing to make sure you are always riding the bearing surface. See Fig. 5.
6. The Nose Puller can also be used to remove the plug from a padlock. See Fig. 6.

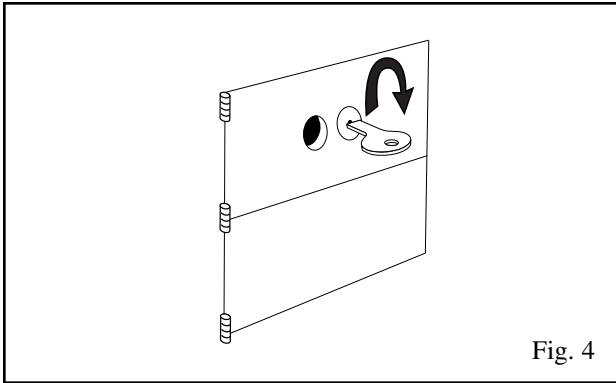


Fig. 4

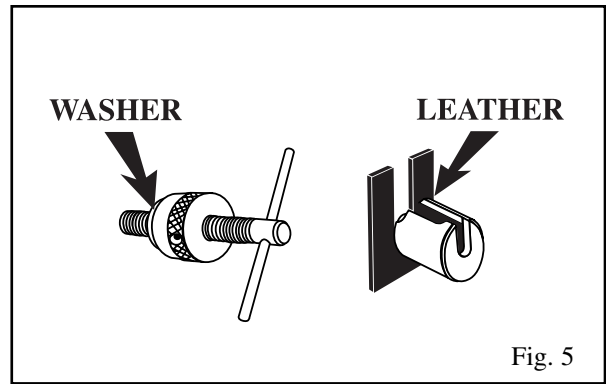


Fig. 5

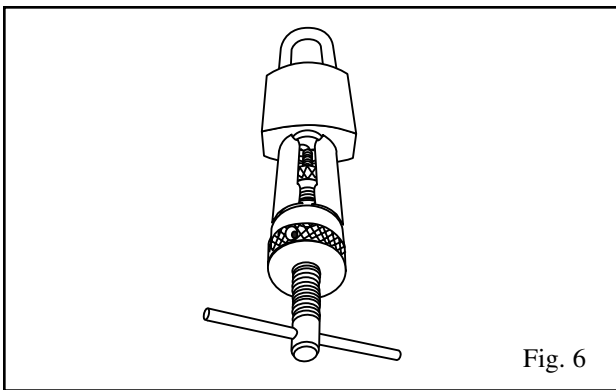
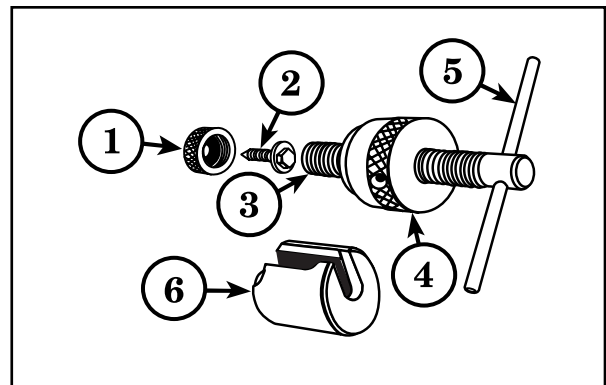


Fig. 6



#	Description	Stock #
1.	Screw Retainer Cap	NP-4B-1
2.	Sheet Metal Screw 10/pkg.	NP-4B-2
3.	Threaded Shaft Hex End	NP-4B-3
4.	Knurled Knob & Thrust Bearing	NP-4B-4, 5
5.	Small Handle	NP-4B-6
6.	Spacer Block	NP-4B-7