

# Architectural Door Accessories

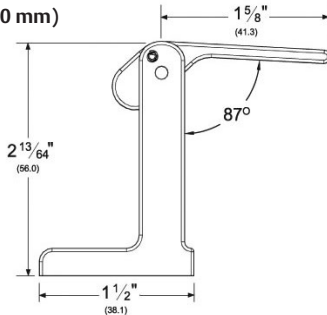
# ASSA ABLOY

Pemko Hospitality Products:  
Privacy Door Latch

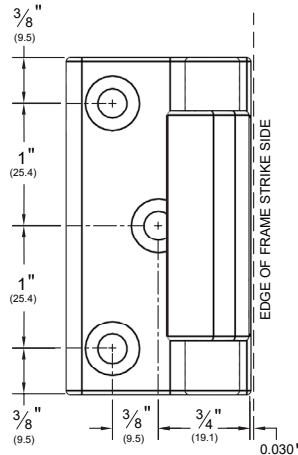
The global leader in  
door opening solutions

PDL\_ 

AVAILABLE FINISHES: 3, 4, 26, 26D/15  
WIDTH: 1-1/2" (38.1 mm)  
HEIGHT: 2-13/64" (56.0 mm)



3 (Polished Brass)  
4 (Satin Brass)  
26 (Polished Chrome)  
26D/15 (Satin Chrome/Nickel)



NOTE: Allow about .030" clearance from edge of frame.

TITLE:
PREPARED FOR:
PREPARED BY:
DATE:
COMMENTS: