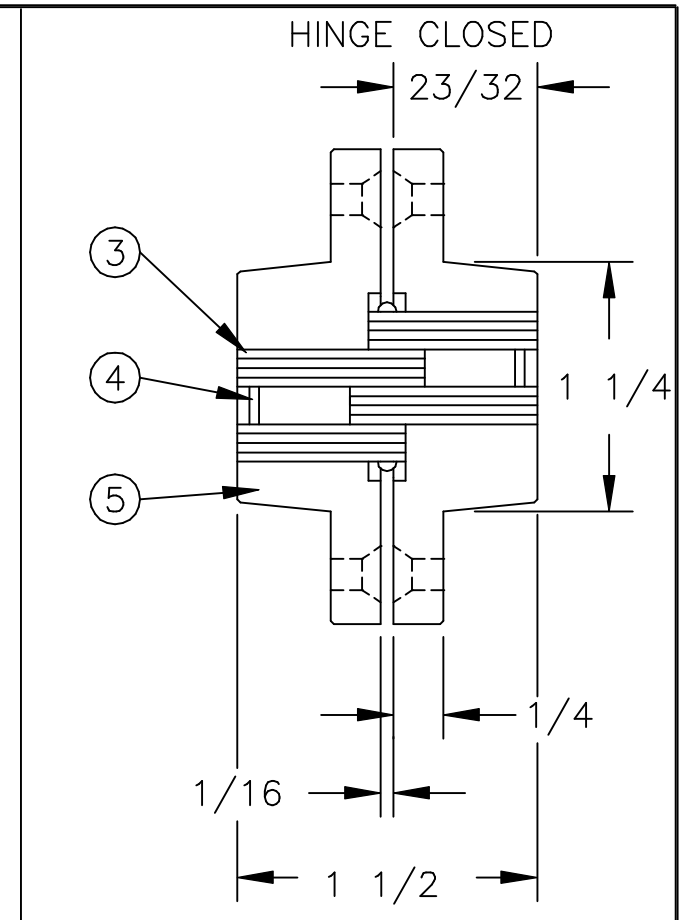
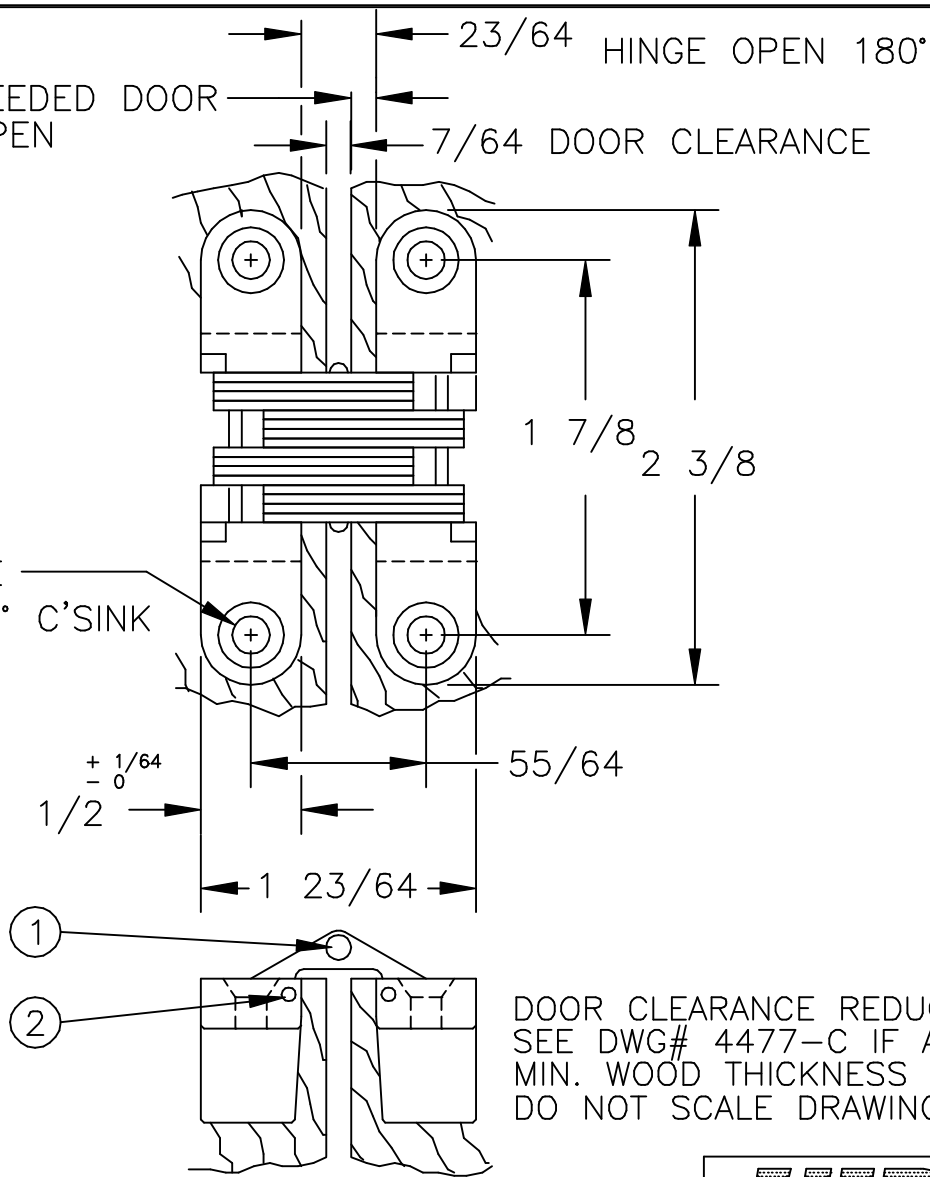


1/8" IF EXCEEDED DOOR
MAY NOT OPEN

SUPPLIED
WOOD SCREW
#7 x 1 1/4"
OR
SPECIAL ORDER
#8-32 x 5/8"
MACH. SCREW

3/16" DIA. HOLE
WITH 21/64 x 82° C'SINK



DOOR CLEARANCE REDUCES TO 1/64" WHILE CLOSING
SEE DWG# 4477-C IF ADDING MATERIAL TO DOOR FACE
MIN. WOOD THICKNESS IS 3/4 INCH
DO NOT SCALE DRAWING

5	2	BODY	ZINC
4	2	CHANNEL PIN	STEEL
3	16	LINK	STEEL
2	2	LONG PIN	STEEL
1	1	RIVET PIN	STEEL
NO.	QTY.	PART NAME	MATERIAL

UIP

©Copyright 1998
Universal Industrial Products Co. Inc.
One Coreway Drive
Pioneer, Ohio 43554-0628

SCALE:
NOT TO SCALE

DRAWN BY:
R. SEIGNEUR

HINGE TEMPLATE

DATE:
4/8/98

#204 SOSS INVISIBLE HINGE

DRAWING # 3948-C