

DO NOT SCALE

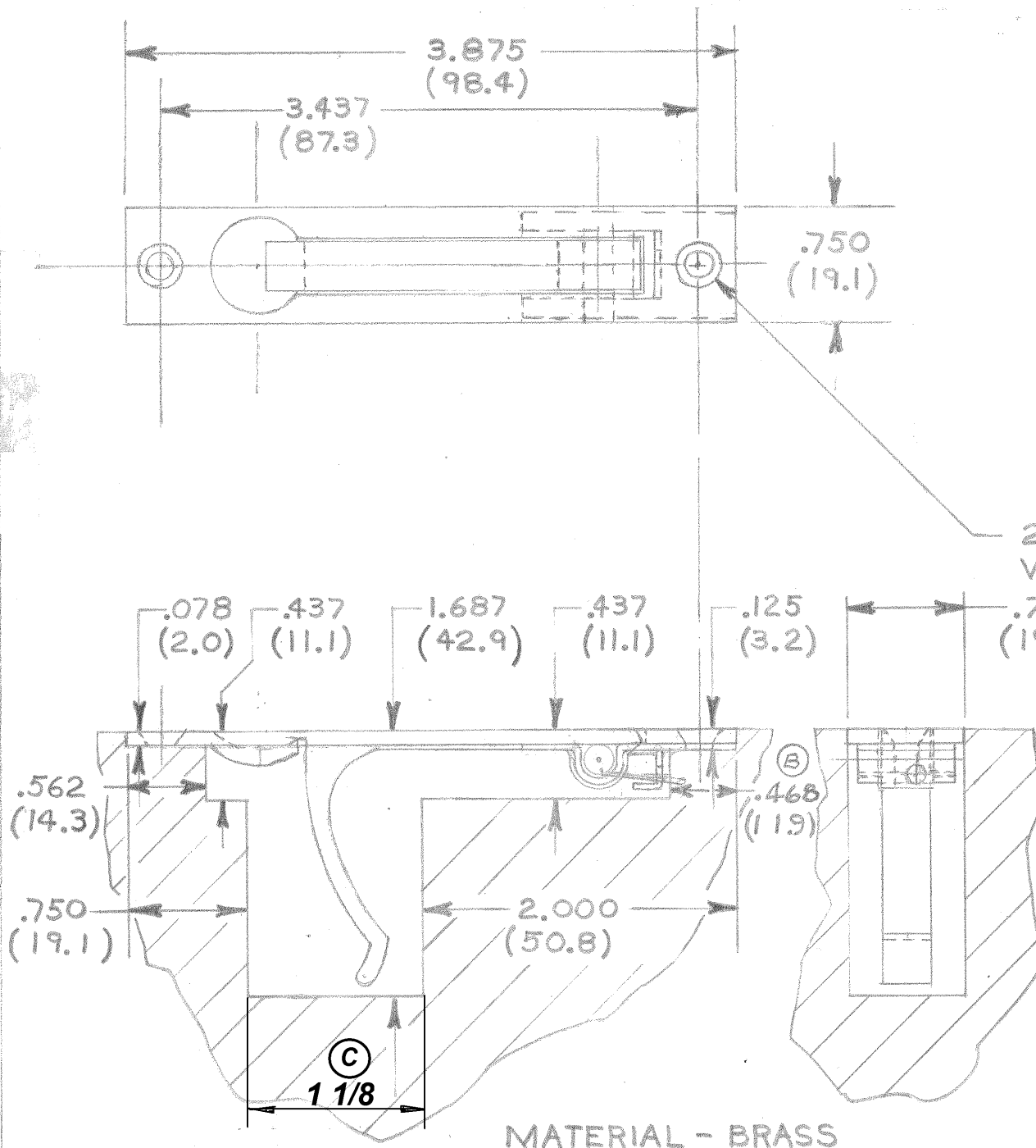
TEMPLATE DRAWING

STB

DWG. NO. - 292 C

METRIC DIMENSIONS
IN PARENTHESIS

2 - 3/4 X 6 FH PHILLIPS
WOOD SCREWS



MATERIAL - BRASS

230B EDGE PULL		
LETTER	CHANGE	DATE
A	ADDED DOOR CUT-OUT DIM.	5-3-77 RCK
B	.468 WAS .500	ETH 2-26-91
C	ADDED 1 1/8	3/13/03
E.A.M. 10-18-50 SCALE-FULL		

IVES DIVISION
LEIGH PRODUCTS, INC.
P. O. BOX 1887, NEW HAVEN, CONN. 06508