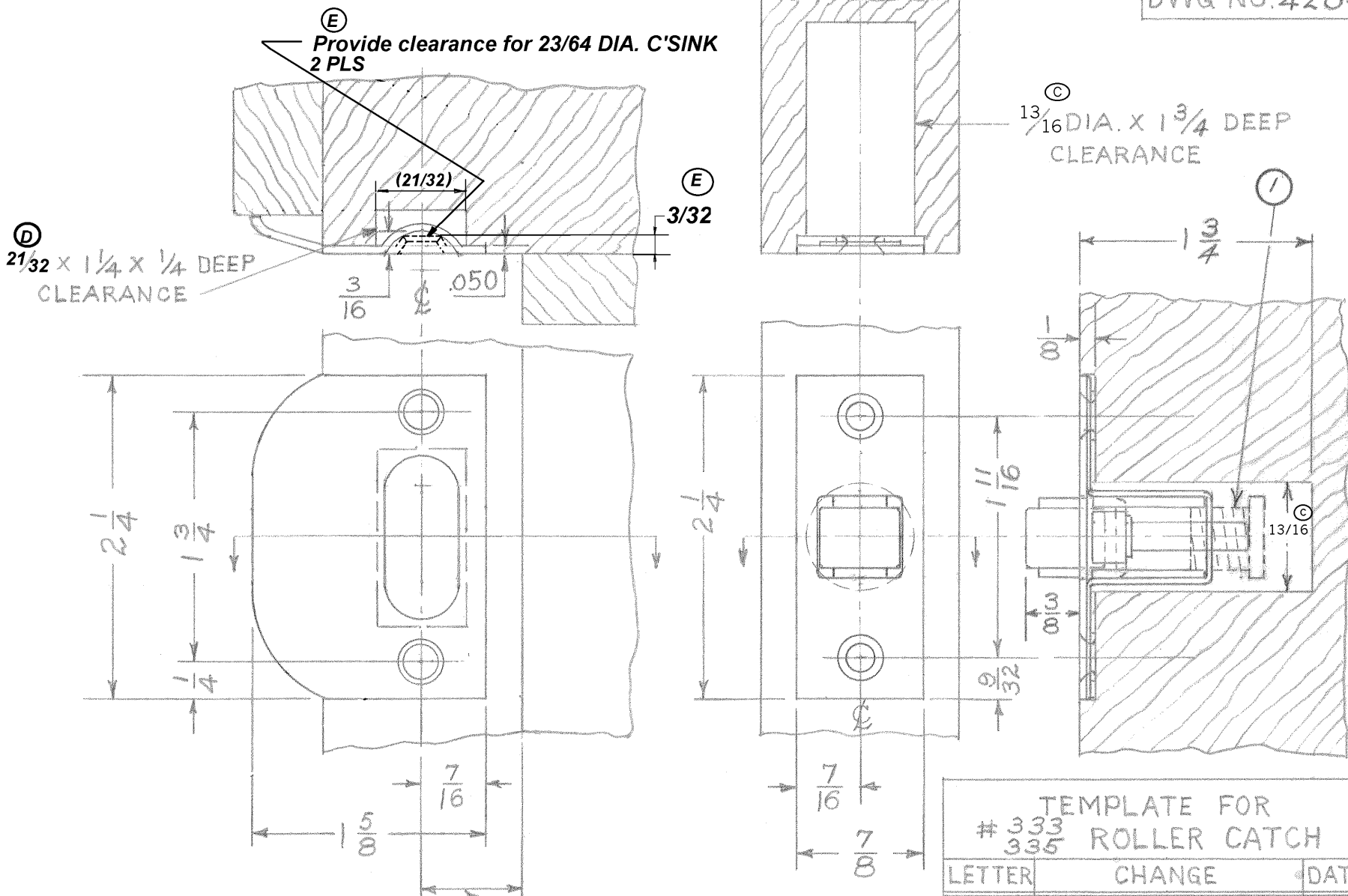


DO NOT SCALE

TEMPLATE DRAWING

DWG NO. 420-E



(D) $2\frac{1}{32} \times 1\frac{1}{4} \times \frac{1}{4}$ DEEP CLEARANCE

(E) Provide clearance for $2\frac{1}{64}$ DIA. C'SINK 2 PLS

(C) $1\frac{3}{16}$ DIA. X $1\frac{3}{4}$ DEEP CLEARANCE

7 X $\frac{3}{4}$ " F.H. SHEET METAL SCREWS $\frac{1}{2}$ DOOR THICKNESS
 # 6-32 X $\frac{3}{8}$ " F.H. MACH. SCREWS AVAILABLE UPON REQUEST

(1) SPRING TENSION ADJUSTMENT ON 335 ONLY

TEMPLATE FOR		
# 333		
335 ROLLER CATCH		
LETTER	CHANGE	DATE
A	SCREW TYPES UPDATED	10-3-85
B	# 6-32 X $\frac{3}{8}$ MS WAS # 8-32 X $\frac{1}{2}$ MS-ECO 96-38	9-5-86
C	13/16 WAS 3/4, ECO 01-49	5/15/02
F.C.B. 8-8-58 FULL SIZE		

E	Added note "E" & dim. 3/32-ECO-03-13	4/10/03
D	ADDED NOTE "D" -ECO-02-12	10/14/02

IVES DIVISION
 LEIGH PRODUCTS, INC.
 P. O. BOX 1887, NEW HAVEN, CONN. 06508