
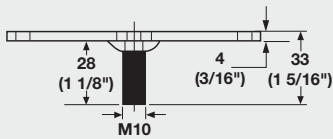
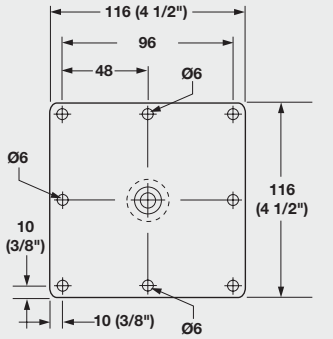


## Table Legs - Ø50 mm

- Steel square mounting plate with M10 bolt. Leg simply screws into mounting plate.
- Load rating approximately 100 kg. (220 lbs.) per leg.
- Adjustment range +25 mm (1")
- Sold in sets of 4, including all mounting hardware. 

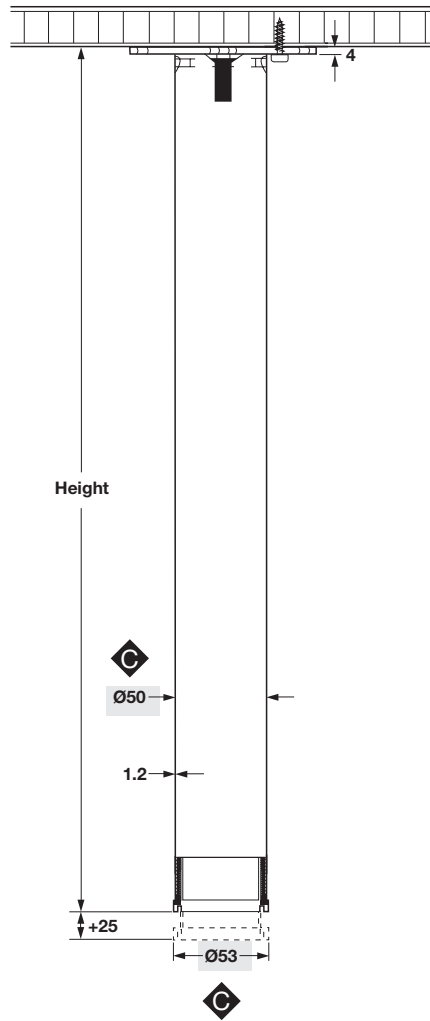


### Leveler Ø50 mm Press-Fit

Use as replacements if needed. When completely screwed down (compressed) height is 5/8". Offers + 1" of adjustment. Finish: plastic, black

Cat. No. 635.06.005

Packing: 500 pcs.



### E-Leg Ø50 mm, with adjustable foot

Heights listed include mounting plate and leveler. With adjustable foot, +25 mm

Finish: Legs: steel, plated or epoxy-coated  
 Leveler: plastic, black  
 Mounting Plate: steel, black

Height	Diameter	Finish	Cat. No.
710 mm (28")	50 mm (2")	Polished chrome	635.68.271
710 mm (28")	50 mm (2")	Black semi-gloss 	635.68.371
710 mm (28")	50 mm (2")	Black textured	635.68.373
710 mm (28")	50 mm (2")	Brushed steel	635.68.471
710 mm (28")	50 mm (2")	Silver aluminum RAL 9006	635.68.971

Packing: 1 set (includes 4 legs, 4 mounting plates, and screws # 9 x 1")

**Tables, Legs, Casters,  
 Levelers and Office  
 Organization**

Dimensional data not binding. We reserve the right to alter specifications without notice.