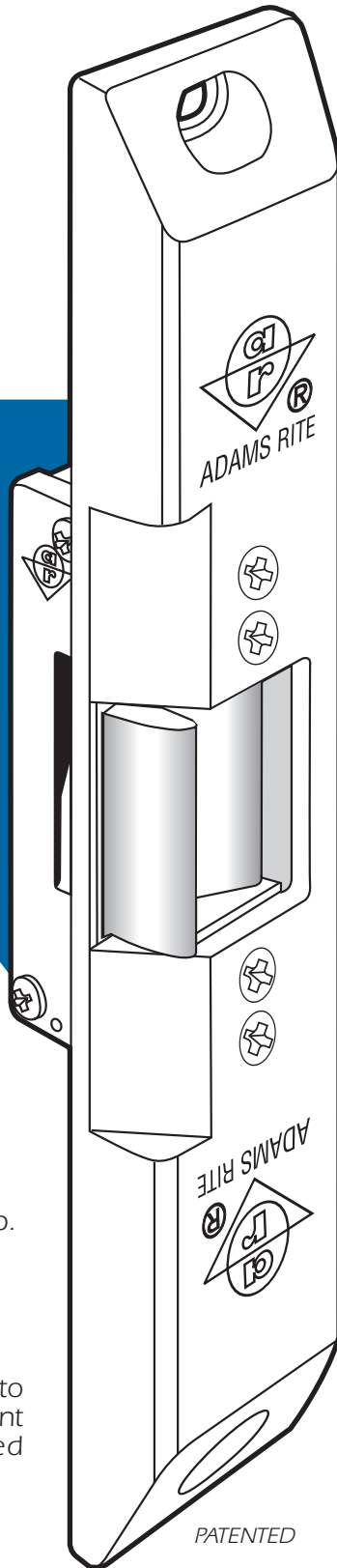


VOLTAGE		
Available in 12, 16 or 24 volt AC and DC. DC and AC Continuous units are silent, AC intermittent units "buzz" on operation.		
CURRENT DRAW/AMPS		
Volts	AC Int.	DC or AC Cont.
12	1.42	.33
16	1.03	.22
24	.74	.17



71R1

ANSI/BHMA Type EO9321 (Grade 1)
for Pullman Bolt Rim Exit Devices

Mounts in Aluminum, Wood or
Hollow Steel Jambs

UL Listed for Burglary Resistance

▼ Case

Approx. 1" x 3-3/8" x 7/8" deep.
Made of zinc-aluminum alloy.

▼ Fail Safe/Fail Secure

Field convertible from one mode to the other. However, AC intermittent solenoid must not be used continuously in either.

▼ Strike Opening

5/8" x 1-7/16" x 9/16" deep. Bolt retainer jaw is made of brass. Strike accepts Pullman bolt of exit devices (without deadlocking bolts) listed on the back of this page.

▼ Mounting Plate/Housing

Measures 1-3/4" x 9" x 3/4" deep. Made of zinc/aluminum alloy. Standard finish in Ritecoat epoxy to match Clear, "Bronze" and Black Anodized finishes.

▼ Function

A semi-mortised strike for Rim exit devices having Pullman type bolts. Provides electrical remote control allowing door to open without actuation of the exit device.

PATENTED



ADAMS RITE
MANUFACTURING CO.

260 Santa Fe Street
Pomona, California 91767
(800) 872-3267 Fax: (800) 232-7329
www.adamsrite.com

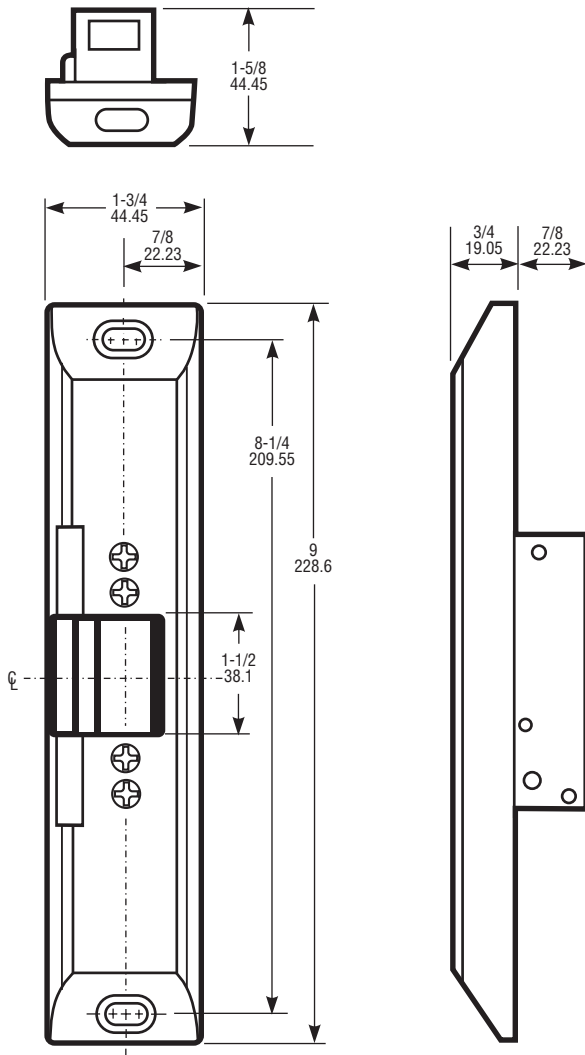


71R1 Electric Strike

DIMENSIONS

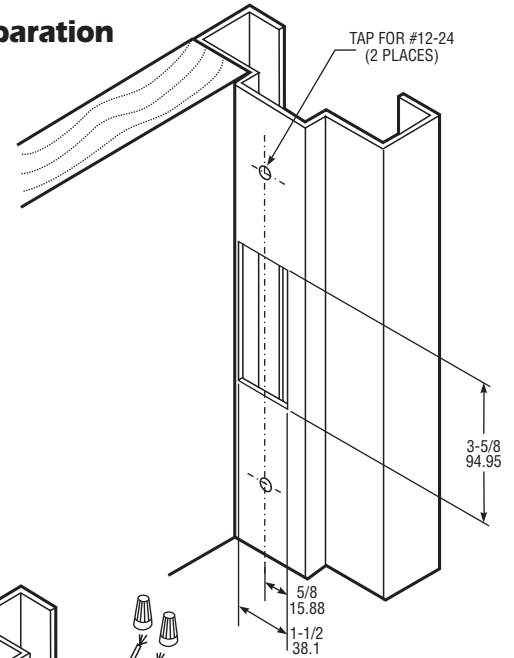
INCHES
MILLIMETERS

Nominal, subject to tolerance extremes.



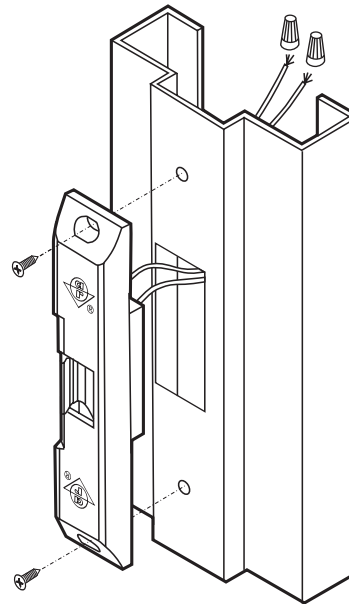
INSTALLATION

Jamb Preparation



Installation

Turn strike upside down for opposite hand.



HOW TO ORDER

Specify quantity and the following information.
Order 4603 Rectifier and/or 4605 or 4606 Transformer separately.
(4603 included with AC Cont.)

Voltage	Current & Duty	Features**
3 12 Volt	1 DC Continuous or Intermittent	0 Std/Fail-Secure
4 16 Volt	2 AC Continuous*	5 Fail-Safe
5 24 Volt	4 AC Intermittent	7 Monitor/Fail-Safe
		9 Monitor/Fail-Secure

71R1-319-130

Ritecoat Finish

- 130** To match 628 Clear Anodized
- 121** To match 313 Dark Bronze Anod.
- 119** To match 335 Black Anodized

*A DC strike with rectifier attached for use on AC current.

**Fail-secure can be field converted to fail-safe or vice-versa.

STANDARD PACKAGE

Individually boxed with mounting screws and installation instructions. Shipping weight approx. 2 lbs.

OPTIONS

Available with two monitoring signal switches which sense whether Pullman bolt is in strike and whether strike jaw is blocked. Three Ritecoat finishes are standard, to match aluminum finishes. Choice of voltage in AC and DC for intermittent or continuous duty. Specify assembled for either fail-secure (locked when unpowered) or fail-safe (locked when powered) operation, but can be field-converted to the other mode.

4603 Rectifier - Converts AC to DC. Installs in low voltage line between transformer and strike. Rated 2 amps. (200 PIV).

4605 Transformer - Converts 120VAC to 24VAC. Rated 40 Volt-amp output assures plenty of power for strike release. Patented mounting bracket fits in knockout hole of standard junction boxes.

4606 Transformer - Plug-in version for standard wall outlet.

See separate specification sheet for more information on Strike options.